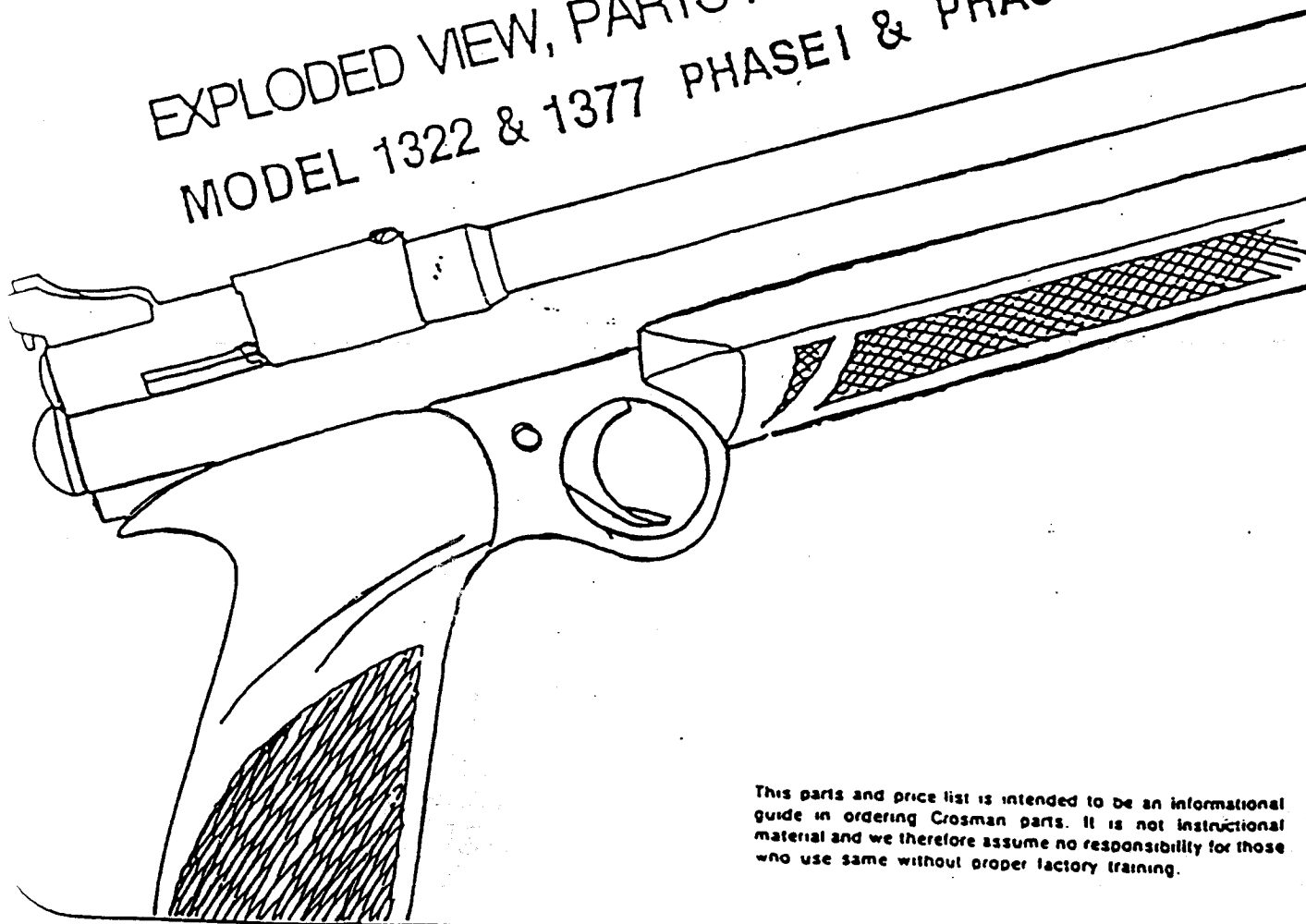


Crosman® AIRGUNS



Manufacturing Date 1977

EXPLODED VIEW, PARTS AND PRICE LIST
MODEL 1322 & 1377 PHASE I & PHASE II



This parts and price list is intended to be an informational guide in ordering Crosman parts. It is not instructional material and we therefore assume no responsibility for those who use same without proper factory training.

9/95

CROSMAN AIRGUNS

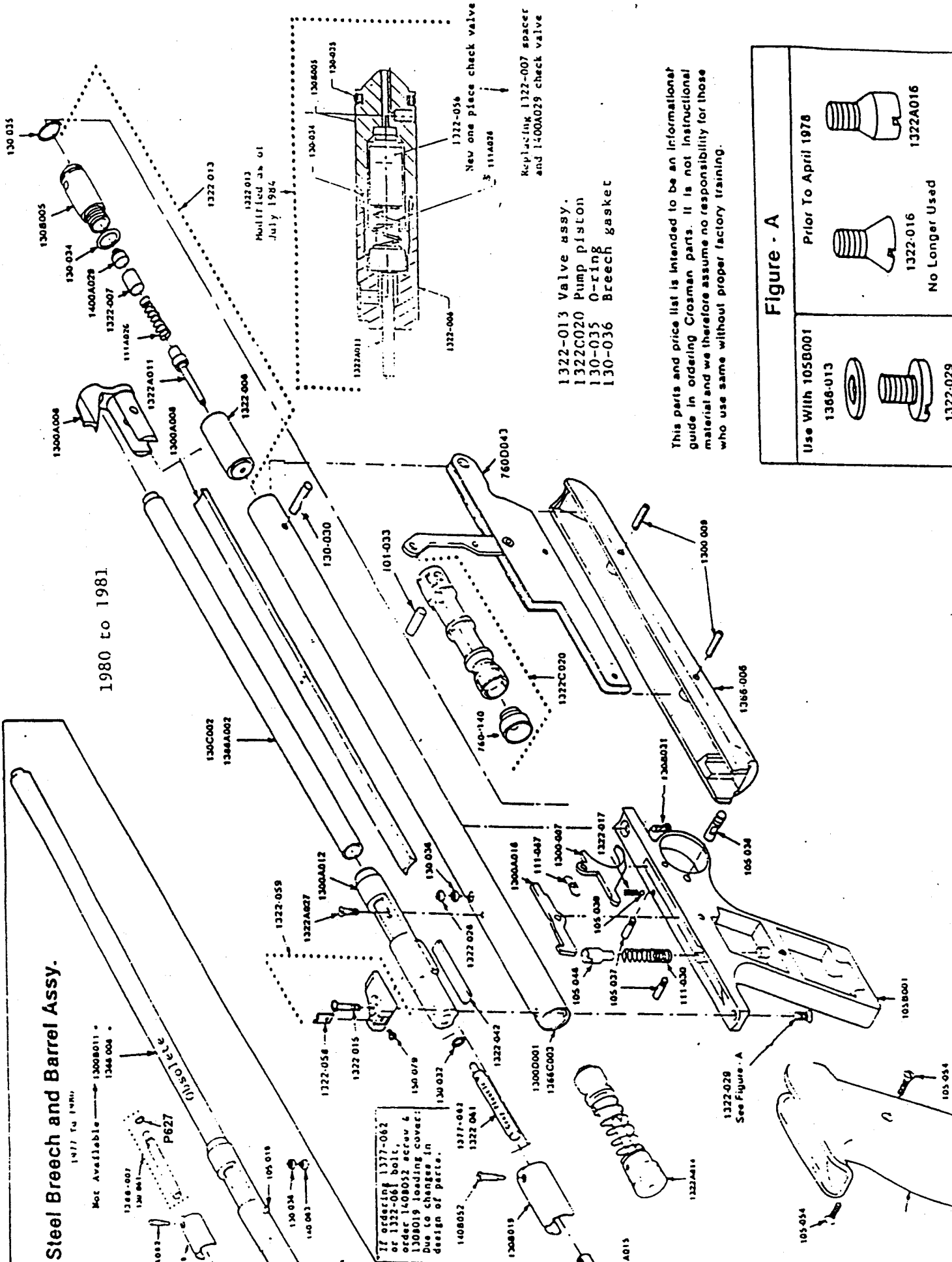
Rt. 5&20 East Bloomfield, N.Y. 14443

Steel Breech and Barrel Assy.

1977 to 1981
 Not Available → 1300B011
 1344A002

1322-007
 130-041
 P627

1980 to 1981



If ordering 1377-062
 or 1322-066 bolt,
 order 140B052 screw &
 130B019 loading cover.
 Due to change in
 design of parts.

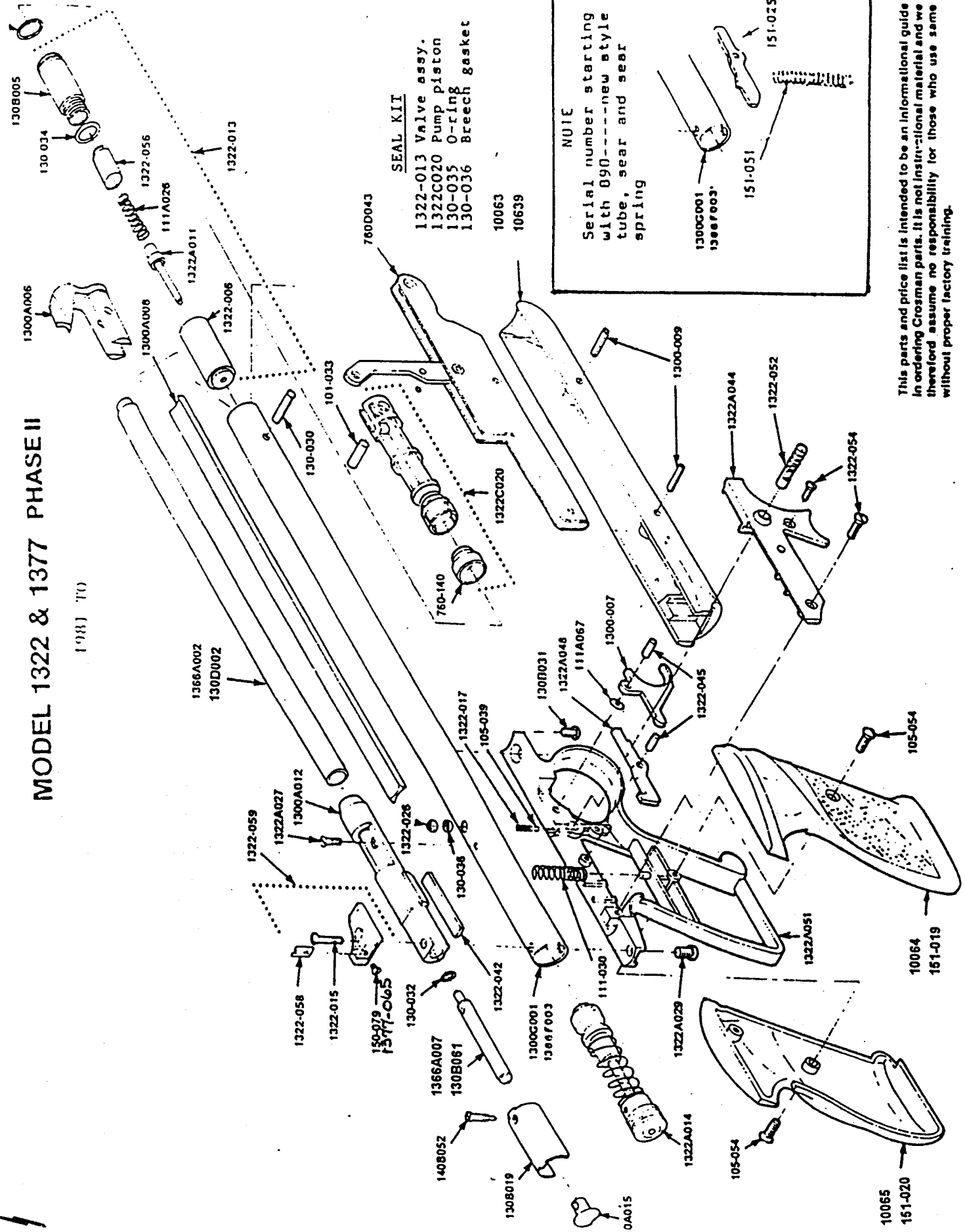
This parts and price list is intended to be an informational
 guide in ordering Crosman parts. It is not instructional
 material and we therefore assume no responsibility for those
 who use same without proper factory training.

Figure - A

Use With 105B001 1366-013	Prior To April 1978 1322-016 No Longer Used	1322A016
1322-029		

MODEL 1322 & 1377 PHASE II

1981 TO



SEAL KIT
 1322-013 Valve Assy.
 1322C020 Pump piston
 130-035 O-ring
 130-036 Breech gasket

NOTE
 Serial number starting with 090-----new style tube, sear and sear spring

This parts and price list is intended to be an informational guide in ordering Crosman parts. It is not instructional material and we therefore assume no responsibility for those who use same without proper factory training.