



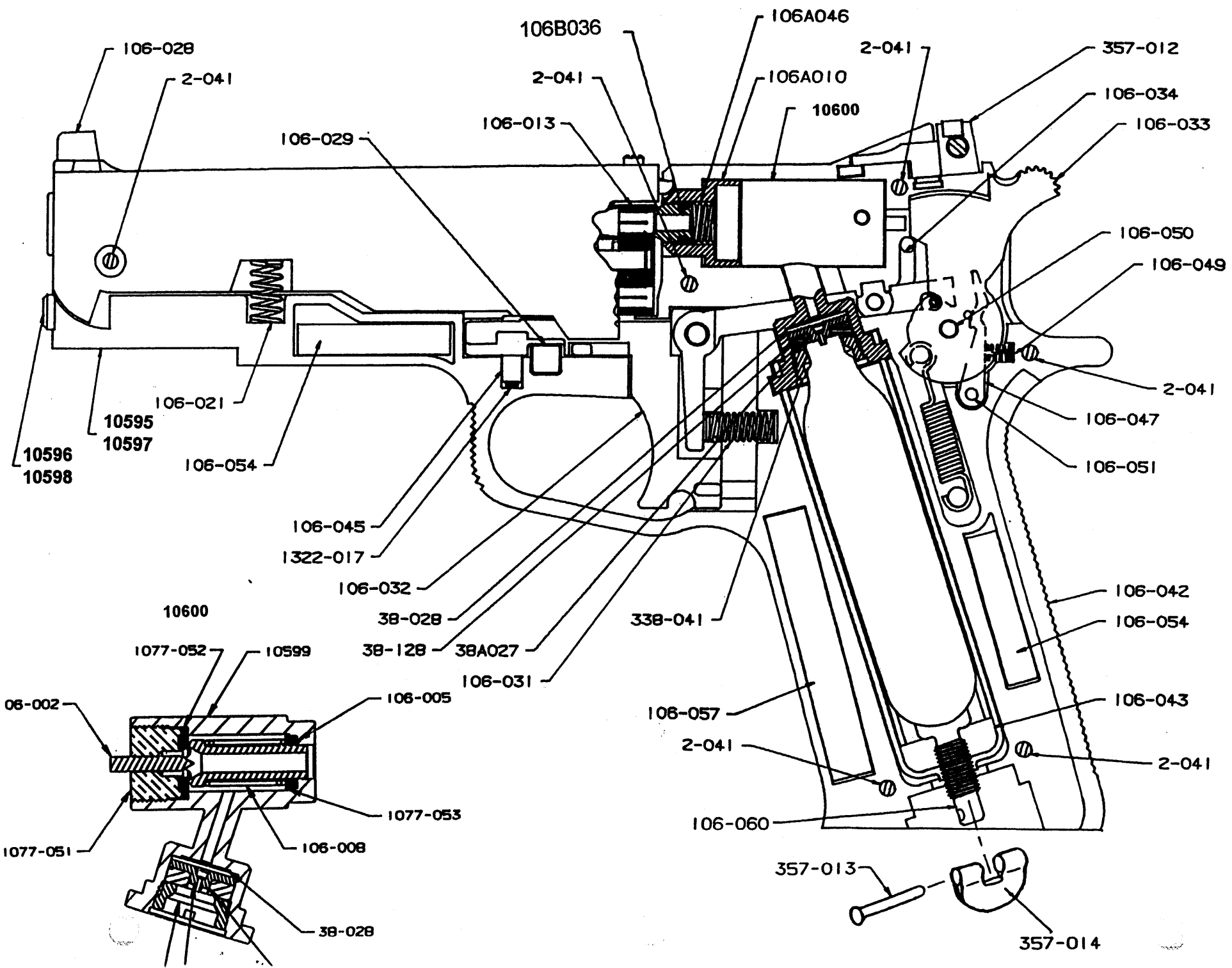
EXPLODED VIEW PARTS AND PRICE LIST

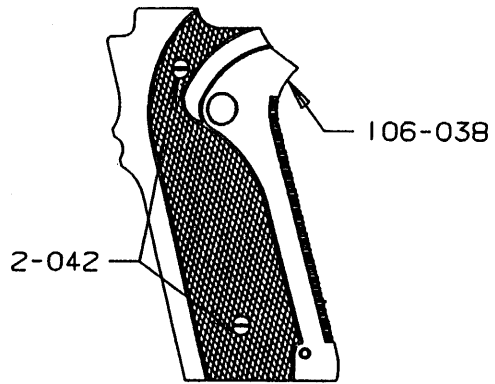
MODEL 1008B 1008SB
PHASE I

CROSMAN CORPORATION
RT 5 & 20
EAST BLOOMFIELD, NY 14443

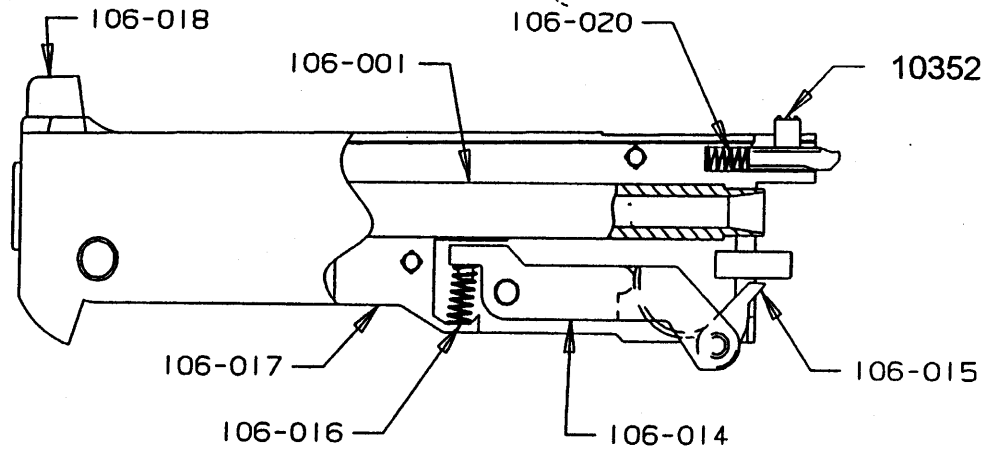
Phone: 1-800-724-7486
Parts Order Fax: 585-657-5405

C1008EVP1



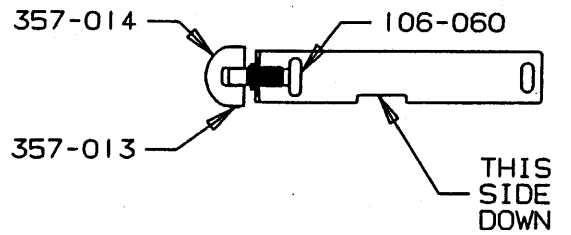
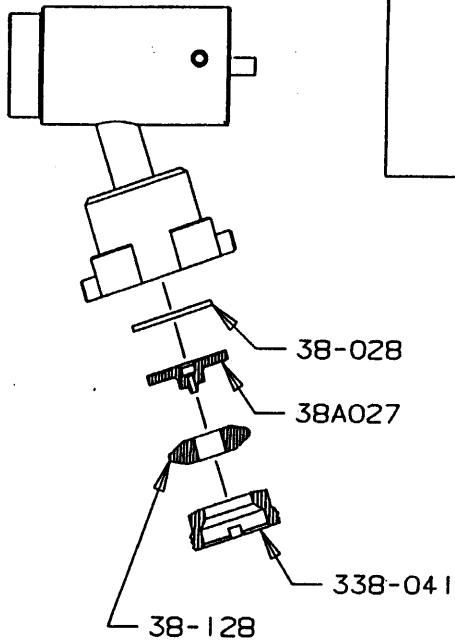


GRIP & SCREWS

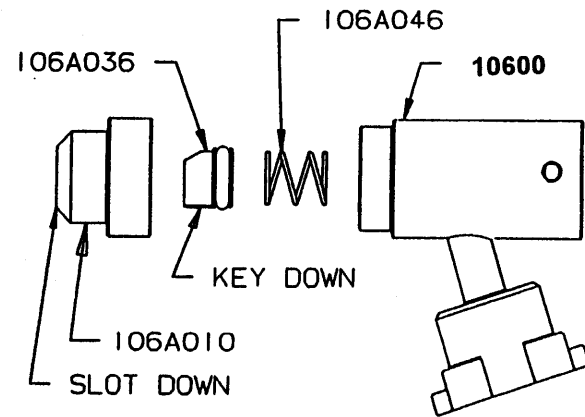


(106-028) SHROUD ASS'Y

10600
VALVE ASS'Y



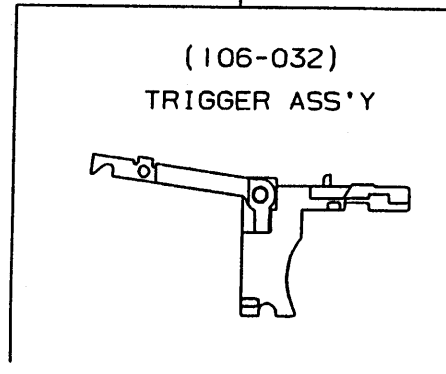
(106-043) PIERCING BRAKET ASS'Y



(106-033) HAMMER ASS'Y

TABS MUST FIT INTO R.H. FRAME

(106-032)
TRIGGER ASS'Y



DETENT KEY TO ALIGN WITH SLOT IN DETENT BODY
SLOT MUST FACE DOWN

FRONT VIEW