

LIMITED 90 DAY WARRANTY

This product is warranted to the retail consumer for 90 days from date of retail purchase against defects in material and workmanship and is transferable. To register the serial number of your gun, please return the Warranty Record Card. The warranty is not conditioned on the return of the card.

WHAT IS COVERED

Replacement parts and labor. Transportation charges to Consumer for repaired product.

WHAT IS NOT COVERED

Transportation charges to Crosman for defective product. Damages caused by abuse or failure to perform normal maintenance—see Owner Manual. Sales outside of the United States. Any other expense. CONSEQUENTIAL DAMAGES, INCIDENTAL DAMAGES, OR INCIDENTAL EXPENSES, INCLUDING DAMAGE TO PROPERTY. SOME STATES DO NOT ALLOW THE EXCLUSION OR LIMITATION OF INCIDENTAL OR CONSEQUENTIAL DAMAGES, SO THE ABOVE LIMITATION OR EXCLUSION MAY NOT APPLY TO YOU.

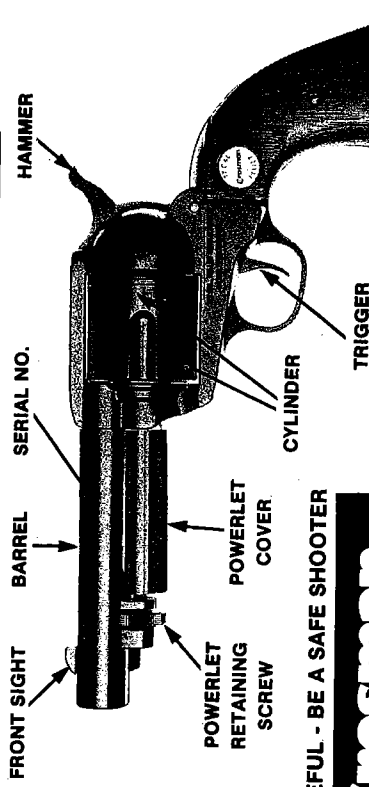
Printed in U.S.A.

P/N 44A 503

7J8

MODEL 44/.177 PEACEMAKER

OWNER'S MANUAL



BE CAREFUL - BE A SAFE SHOOTER



READ BEFORE USING PISTOL

WARNING: THIS AIR GUN IS NOT A TOY AND MAY CAUSE DEATH OR SERIOUS INJURY, PARTICULARLY TO THE EYES, IF MISUSED OR USED CARELESSLY MAY BE DANGEROUS UP TO 200 YARDS (183 METERS). READ ALL INSTRUCTIONS BEFORE USING. THIS AIR GUN REQUIRES ADULT

SUPERVISION IF THE USER IS UNDER 16 YEARS OLD AND SHOULD NOT BE USED BY ANYONE UNDER 8 YEARS OF AGE. PURCHASER AND USER HAVE THE RESPONSIBILITY TO CONFORM TO ALL LAWS CONCERNING THE USE AND OWNERSHIP OF THIS GUN.

BE CAREFUL - BE A SAFE SHOOTER

HOW TO OPERATE

IMPORTANT: Steps for safe and satisfactory operation.

- Step 1 Remove factory installed CO₂ Powerlet.
- Step 2 Load and pierce CO₂ Powerlet
- Step 3 Load Super Pellets
- Step 4 Aim and Fire

CAUTION: WEAR SAFETY GLASSES WHEN SHOOTING

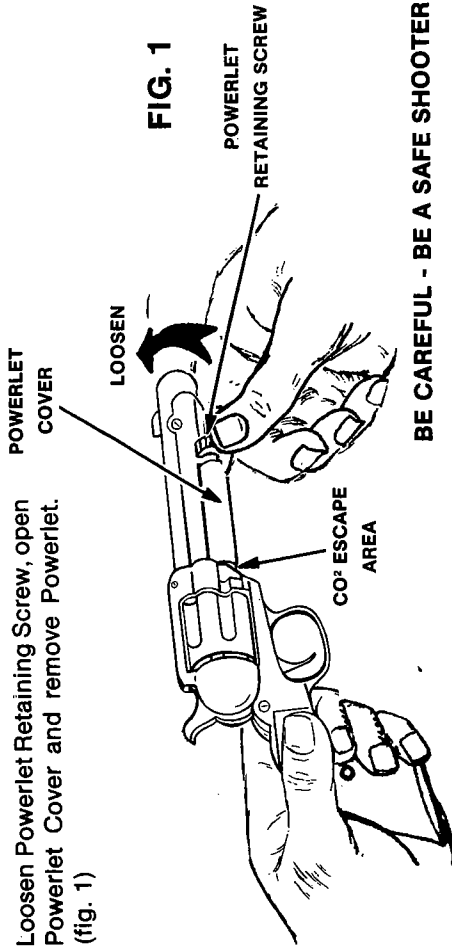
- Step 1 REMOVE THE FACTORY INSTALLED CO₂ POWERLET

Your new gun has an empty CO₂ Powerlet in it which must be removed. It was used to test the gun at the factory.

CAUTION: KEEP HANDS AWAY FROM ESCAPING CO₂. EXHAUSTED CO₂ GAS CAN CAUSE FROSTBITE WHEN ALLOWED TO COME IN CONTACT WITH SKIN.

Loosen Powerlet Retaining Screw, open Powerlet Cover and remove Powerlet. (fig. 1)

Step 1 REMOVE THE FACTORY INSTALLED CO₂ POWERLET



BE CAREFUL - BE A SAFE SHOOTER

STEP 2 HOW TO LOAD AND PIERCE CO₂ POWERLET

CAUTION: BEFORE CHARGING WITH NEW POWERLET, ALL PELLETS MUST BE REMOVED FROM GUN. SEE PAGES 7-8 "How to remove pellets from the 44."

- A Place new Powerlet, small neck towards Trigger, into position.
- B. Turn Powerlet Retaining Screw (Fig. 2) until finger tight.

NOTE: To avoid damage to the gun never use pliers or any tool to tighten Powerlet Retaining Screw.

- C. Close Powerlet Cover.
- D. Cock and fire gun several times to pierce Powerlet. If gun fails to fire the Powerlet was not pierced. Remove and inspect Powerlet for small hole in nose. If Powerlet is not pierced, replace and repeat Step B.

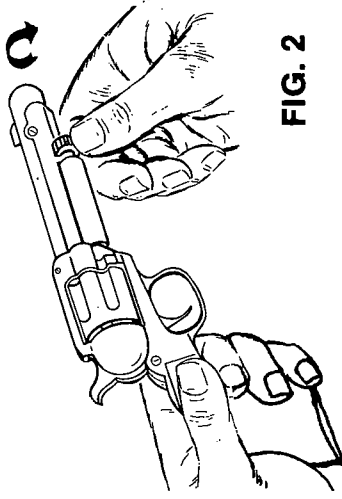


FIG. 2

IMPORTANT: UNLOAD GUN. Cock Hammer and pull Trigger to pierce Powerlet. Don't try to pierce Powerlet by overtightening Powerlet Retaining Screw, or you will damage gun.

BE CAREFUL - BE A SAFE SHOOTER

Step 3 HOW TO LOAD PELLETS

Point the revolver in a SAFEDIRECTION and rotate the Cylinder until a Pell Chamber is aligned with the Loading Port. Load a Crosman .177 Cal. Super Pell, nose toward Barrel, into the Loading Port (Fig. 3). Make sure the Pell seats down in the Cylinder Chamber. Repeat this procedure until all the Pell Chambers are loaded.

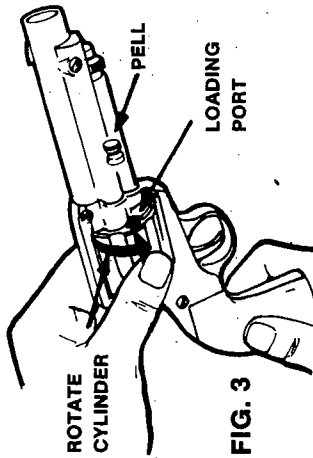
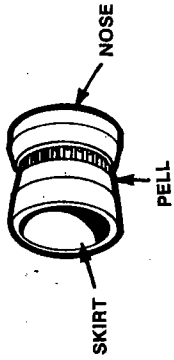


FIG. 3



Step 4 HOW TO AIM AND FIRE

Point the revolver in a SAFEDIRECTION and pull the Hammer all the way back. When you are sure of your Target and Backstop, take aim and squeeze the Trigger to fire.

NOTE: If a Pellet does not leave the Barrel, your gun is jammed.

- Reasons for a jammed revolver:
- A. Low on CO² gas.
 - B. Shooting more than 30 shots below 70°F temperature.
 - C. Defective ammunition.

How to remove Pellets from the 44

Follow the steps here and on page 8 to remove jammed Pellets or to empty gun of Pellets.

- A Make sure gun is not cocked.
- B Remove Powerlet, refer to page 3 - "Remove the factory installed CO² Powerlet."
- C With Muzzle pointed away from you and in a safe direction, rotate Cylinder clockwise. If Cylinder fails to rotate, Pellet is jammed between Cylinder and Barrel and it will be necessary to use considerable force to turn Cylinder (fig. 4). This action will shear Pellet in half.
- D To locate deep groove, rotate Cylinder (fig. 5). Line up deep groove with Barrel, and hold firmly in place with fingers to insure proper alignment.

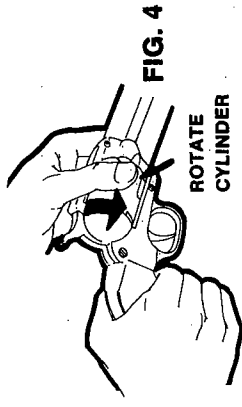


FIG. 4

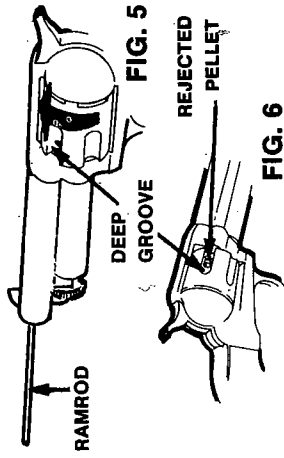


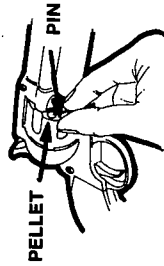
FIG. 5

FIG. 6

E Insert Ramrod into Muzzle end of Barrel (fig. 6) and tap jammed Pellet or

Pellets into deep groove of Cylinder. Remove Ramrod from Barrel, rotate Cylinder until groove is exposed, tilt gun and Pellets will drop out. Repeat procedure if necessary.

F To remove any remaining Pellets in Cylinder using a sharp pointed household pin and pierce each Pellet through the Loading Port (see fig. 7). Pull Pellet from Cylinder.



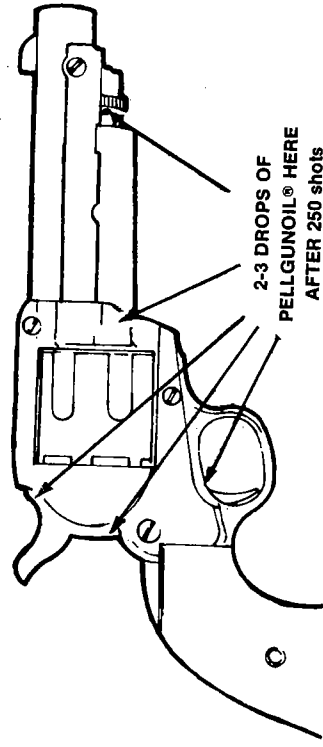
Gun is now ready to be reloaded.

IMPORTANT: HOW TO LUBRICATE

Follow these simple instructions to insure the long life of your revolver. After every 250 shots apply 2 or 3 drops of PELLGUNOIL. (PELLGUNOIL is best but any light household oil is better than

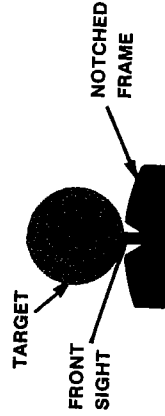
none.) Be sure to oil fittings around neck of Powerlet and keep that area clean and free of foreign matter, which could cause wear or damage.

It is not necessary to clean the Barrel Bore, but application of a little PELLGUNOIL will prevent rust.



HOW TO SIGHT-IN THE REVOLVER

The revolver is correctly aimed with the blade of the Front Sight centered in the "V" of the Notched Frame. For target shooting, many marksmen prefer to sight-in at the bottom of the bullseye (the 6 o'clock position). The sights will then appear black against the white of the target. The point of impact, however, will be the center of the bullseye. (Fig. 8).

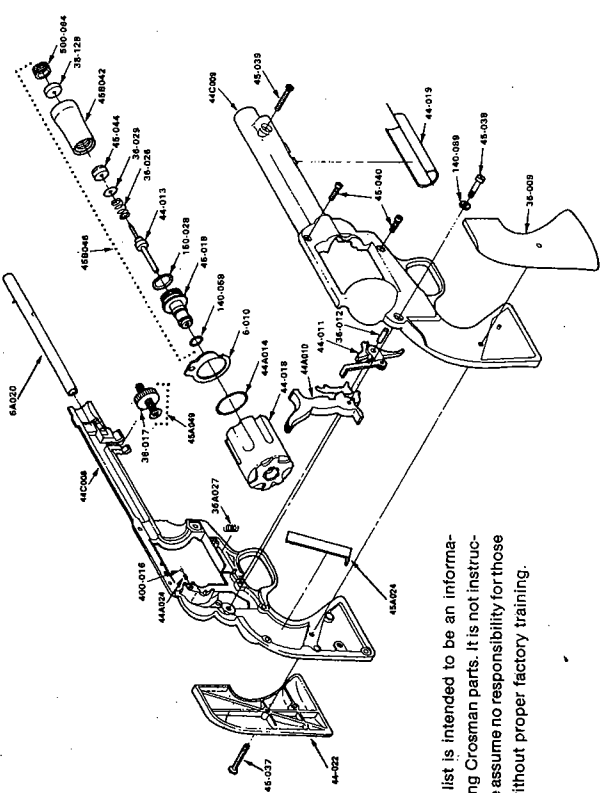


BE CAREFUL - BE A SAFE SHOOTER

Model 44 (.177 Cal.) Assemblies and Parts List

PART NO.	QTY.	DESCRIPTION	PRICE	PART NO.	QTY.	DESCRIPTION	PRICE
6-010	1	Plate	.15	44A024	1	Cylinder Spring	.10
6A006	1	Barrel	1.65	45-018	1	Valve Body	1.45
6-021	1	Ramrod	.30	45A024	1	Hammer Spring	.10
36-009	1	Grip Assembly (R. Hand)	1.60	45-037	1	Hammer Screw	.10
36-012	1	Retaining Nut	.40	45-038	1	Frame Screw	.10
36-017	1	Valve Spring	.10	45-040	1	Frame Screw	.10
36-026	1	Trigger Spring	.10	45B042	1	Retaining Body	1.95
36A027	1	Trigger Spacer	.10	45-044	1	Filter	.10
36-029	1	End Seal	.30	45B046	1	Valve Assembly	4.25
38-128	1	Frame (L. Hand)	2.75	45A049	1	Retainer Screw Assy.	1.85
44C009	1	Frame (R. Hand)	2.50	140-088	1	O Ring	.10
44A010	1	Hammer Assembly	1.90	140-089	1	Washer	.10
44-011	1	Trigger Assembly	2.25	150-028	1	O Ring	.15
44-013	1	Valve Stem Assembly	1.55	400-016	1	Retaining Ball	.10
44A014	1	Garter Spring	.25	500-064	1	Guide Collar	.45
44-018	1	Cylinder	2.35			Parts & Price List	1.50
44-019	1	Powerlet Cover	.50				
44-022	1	Grip L.H.	1.30				

Minimum parts order \$2.00 (Order by part number and name). Prices subject to change without notice. Check or money order in amount of total purchase must accompany parts order. Parts will be shipped prepaid.



This parts and price list is intended to be an informational guide in ordering Crosman parts. It is not instructional material and we assume no responsibility for those who use it as such without proper factory training.

44 SPECIFICATIONS

- Mechanism: Six shot, single action
- Caliber: .177 Pells
- Ammunition: .177 cal. Crosman Super Pells®
- Cylinder Capacity: 6 Pells
- Weight: 1 lb./14 oz. (.9 kg.)
- Overall length: 10 3/4 in. (264mm)
- Sights: Rear: Fixed Notched sight.
- Front: Blade
- Barrel: 4 5/32 in. (106mm), steel tube, button rifled, 10 lands, right-hand twist, one in 16 in. (405mm)
- Power Source: One Crosman 12 gm. CO₂ Powerlet® (small neck type)

PERFORMANCE

- (Average) Projectile Weight: 265 f.p.s.
- Muzzle Velocity: .177 Pell 8.2 gr.
- Range: 200 yards
- Average 30 shots per Powerlet at 70°F

NOTE: Operating gun at below 70°F will decrease the number of effective shots, the reverse is true for gun operation above 70°F.

REPAIR SERVICE

If your gun needs repair, we recommend you take or send it to your nearest Crosman Authorized Service Center, (list of service centers in box with gun). Your gun requires special tools and fixtures to repair, and if you take it apart, you probably will not be able to reassemble it correctly. Crosman assumes no warranty responsibility in this case.

A SPECIAL CUSTOMER SERVICE

Crosman Authorized Service Center will unjam your gun at no cost, during Warranty period.

BE CAREFUL - BE A SAFE SHOOTER

WARNING

You must follow these rules to insure safe and satisfactory performance of your gun.

- DON'T** forget to treat every gun as if it is loaded.
- DON'T** point gun at anything you do not intend to shoot.
- DON'T** use your revolver without due respect for yourself or other people.
- DON'T** shoot at the target until you are sure of your backstop.
- DON'T** conduct yourself in an un-sportsmanlike manner when using your revolver.
- DON'T** store your revolver loaded.
- DON'T** shoot your revolver when the POWERLET is low in gas pressure. It will jam your gun.
- DON'T** reuse ammunition that has already been fired. It will jam your gun.
- DON'T** attempt to clear a Pell jammed in the Barrel by shooting it out with another Pell.
- DON'T** use any ammunition other than Crosman .177 Cal. SUPER PELLETS for the Peacemaker 44/.177 Cal.
- DON'T** expose charged revolver or POWERLETS to excessive heat (140°F.) It may explode.
- DON'T** alter or adjust any of the factory settings to your revolver.
- DON'T** attempt to squeeze the Trigger without cocking the revolver as damage can be caused to the gun action.

BE CAREFUL - BE A SAFE SHOOTER