

BENJAMIN

EXPLODED VIEW & PARTS LIST

MODELS

TRAIL NP2

BTN217SX, BTN292SX, BTN217WX,
BTN292WX, BTN292CX



Manufacture Start Dates: 5/30/14

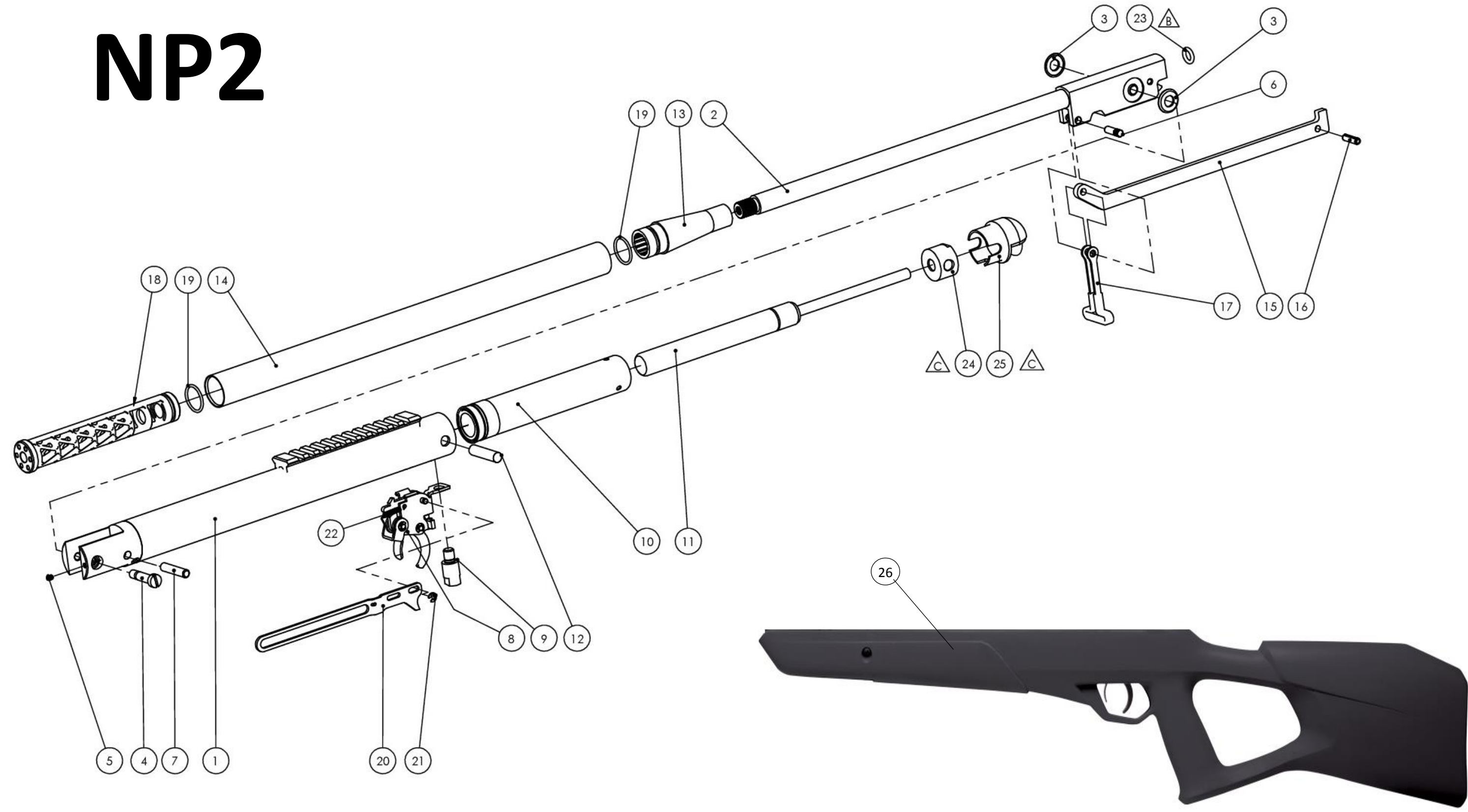
Last Update 8/9/16

CROSMAN
CORPORATION 7629
ROUTES 5 & 20
BLOOMFIELD, NY 14469
Phone: 1-800-724-7486
Parts Order Fax: 585-657-
5405 www.crosman.com

- This EVP and parts list is intended to be an informational guide in ordering parts. It is not instructional material and we therefore assume no responsibility for those who use the same without proper factory training.
- Please order by part number and description.
- Check or money order for the total price must accompany the order.
- For current prices contact Crosman Corporation at 1-800-724-7486 or visit our website www.crosman.com

TRAIL

NP2



Item	Part Number	Description	BTN217SX	BTN292SX	BTN217WX	BTN292WX	BTN292CX	Revision Date
1	NP214-121	COMPRESSION TUBE ASSEMBLY	1	1	1	1	1	
2A	NP214-107	.177 Breech Assembly	1		1			
2B	NP214-108	.22 Breech Assembly		1		1	1	
3	CRS5177-017	BREECH SPACER	2	2	2	2	2	
4	CRS5177-015	PIVOT SCREW	1	1	1	1	1	
5	2300-007	SET SCREW, 6-32 x .188, CUP PT.	1	1	1	1	1	
6	CRS5177-061	PIVOT PIN, LEVER	1	1	1	1	1	
7	CRS5177-033	DETENT PIN	1	1	1	1	1	
8	ELS-100	TRIGGER PACK ASSEMBLY	1	1	1	1	1	
9	CRS5177-027	STOCK LUG	1	1	1	1	1	
10	NP214-131	PISTON ASSEMBLY	1	1	1	1	1	
11	NP214-012	GAS SPRING	1	1	1	1	1	
12	ELS-016	PLUG PIN- DIA 312 x 1 313	1	1	1	1	1	
13	NP214-009	SHROUD CONE	1	1	1	1	1	
14	NP214-008	TRAIL SHROUD	1	1	1	1	1	
15	NP214-005	LEVER	1	1	1	1	1	
16	NP214-006	LEVER GUIDE PIN	1	1	1	1	1	
17	NP214-010	SLING MOUNT	1	1	1	1	1	
18	NP214-001	TRAIL BAFFLE	1	1	1	1	1	
19	E357-008	O-RING, 2-018	1	1	1	1	1	
20	NP214-056	BEARTRAP LEVER	1	1	1	1	1	
21	CRS5177-043	E-RING	1	1	1	1	1	
22	CRS5177-057	SPRING, BEARTRAP	1	1	1	1	1	
23	CRS5177A013	O-RING	2	2	2	2	2	
24	NP214-058	TUBE PLUG	1	1	1	1	1	8/9/2016
25	NP214-055	TRAIL TUBE CAP	1	1	1	1	1	8/9/2016
26A	NP214SX-450	SYNTHETIC STOCK ASSEMBLY	1	1				
26B	NP214WX-450	WOOD STOCK ASSEMBLY			1	1		
26C	NP214CX-450	CAMO STOCK ASSEMBLY					1	