



EXPLODED VIEW & PARTS LIST

Crosman Quest .177 cal Air Rifle

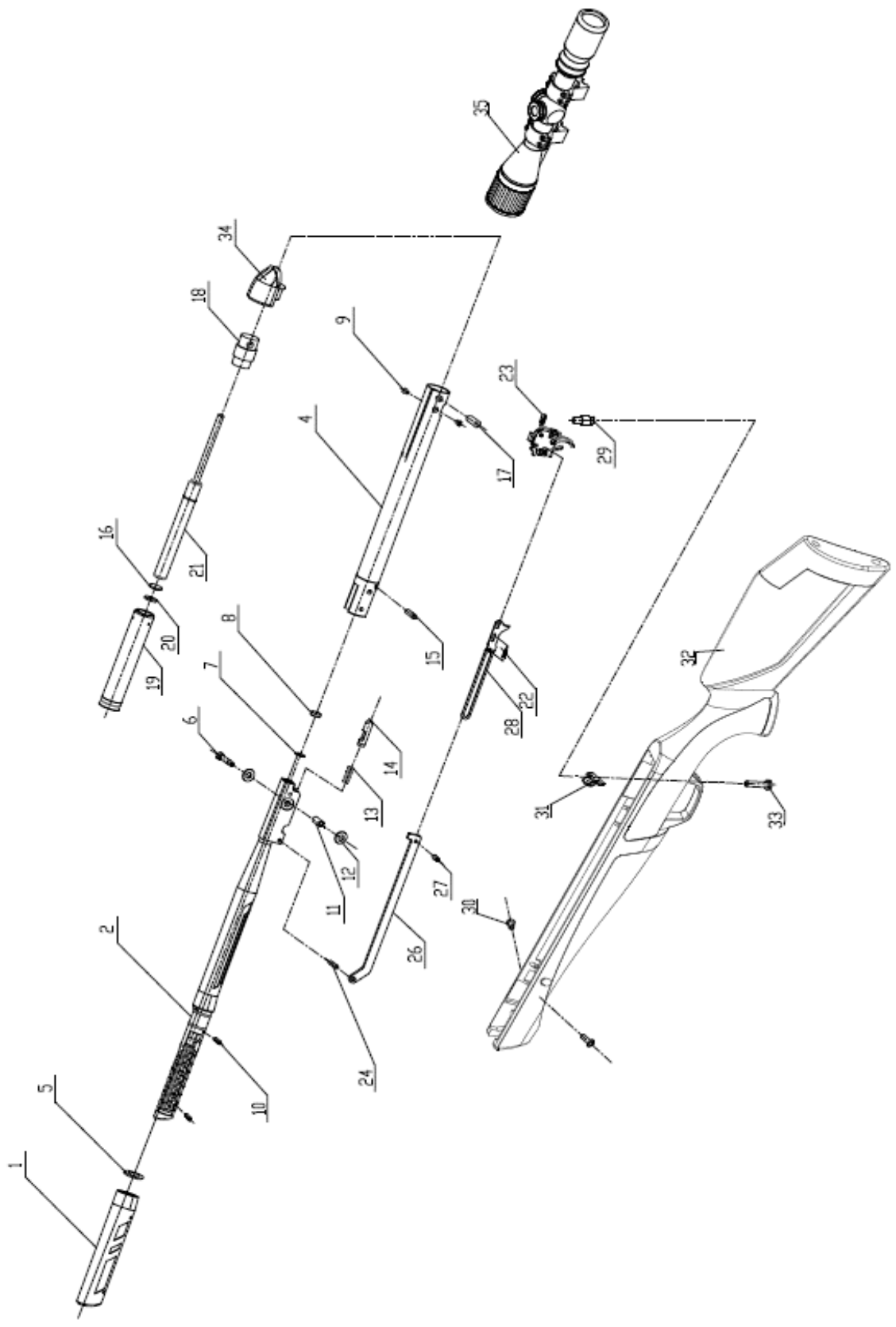
Model CQH17RDN-SX



Manufacture Start Date: 5/1/18

Crosman Airguns
A Velocity Outdoor Company
Routes 5&20
Bloomfield NY 14469
Phone- 1-800-724-7486
Parts order Fax- 585-657-5405
www.crosman.com

- This EVP and parts list is intended to be an informational guide in ordering parts. It is not instructional material and we therefore assume no responsibility for those who use the same without proper factory training.
- Please order by part number and description.
- Check or money order for the total price must accompany the order.
- For current prices contact Crosman Corporation at 1-800-724-7486 or visit our website|



CQH17RDN-SX

Item	Part Number	Description	CQH17RDN-SX
1	NP214-3-01-3	R-Baffle Cap	1
2a	NP214-7-01-200A	Overmolded Barrel Assembly	1
2b	NP214-7-01-200A (5.5)	Overmolded Barrel Assembly	
4	B24-1-03-00	Compression Tube Assembly	1
5	GBT 3452.1-2005	O-ring $\varnothing 19 \times 3.55$	1
6	B22-00-12A	Break Bolt	1
7	BT1500-00-4	Adjust Washer	0-2
8	BT1500-00-3A	Breach Seal	1
9	B22-5-00-9	Screw	2
10	GBT 879.3-2000	Elastic Cylindrical Pin 4×26	2
11	B22-01-4	Bushing	1
12	B18-00-15B	Washer	2
13	ELS-005	Jam Spring	1
14	B24-01-1	Alive Jam	1
15	CRS5177-033	Deam Jam	1
16	B24-04-4	Plain Plate	1
17	B24-00-5	Fixed Pin	1
18	B24-00-6	Back Spring Guide	1
19	B24-04-00	Piston Seal	1
20	B24-04-3	Washer	1
21	B24-00-7	Gas Spring	1
22	B19-19-00-5	Safety Spring	1
23	B24-05-00	Trigger Pack Assembly	1
24	602.500.01.1-6	Lever Pin	1
26	B24-1-00-2	Lever	1
27	B24-1-00-6	Lever Pull Pin	1
28	B24-1-00-1	Bear Trap Lever	1
29	NP2BAM-027	Stock Link Pin	1
30	NP2BAM-M5×16	Pan Head Screws - nylok	2
31	NP2BAM-45	Stock Lug Brace	1
32	1702-01-00	Stock assembly	1
33	NP2BAM-818	Screw, Trigger Guard Rear - nylok	1
34	NP2BAM-060	Tube Cover	1
35	4X32D CenterPoint	Scope	1