



## EXPLODED VIEW & PARTS LIST

Crosman Diamondback .22 cal Air Rifle

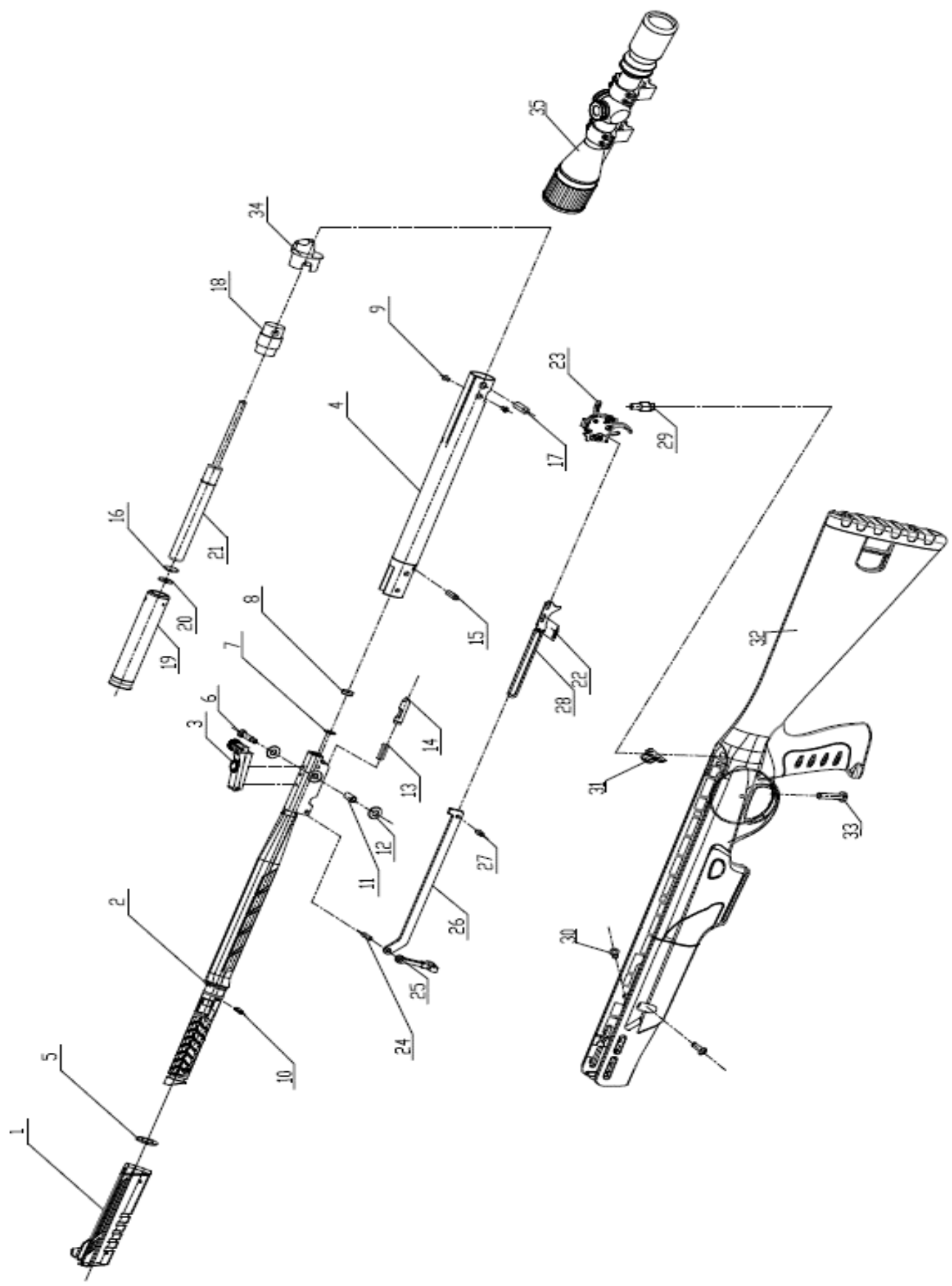
Model CDH22TDSS-SX



Manufacture Start Date: 5/1/18

Crosman Airguns  
A Velocity Outdoor Company  
Routes 5&20  
Bloomfield NY 14469  
Phone- 1-800-724-7486  
Parts order Fax- 585-657-5405  
[www.crosman.com](http://www.crosman.com)

- This EVP and parts list is intended to be an informational guide in ordering parts. It is not instructional material and we therefore assume no responsibility for those who use the same without proper factory training.
- Please order by part number and description.
- Check or money order for the total price must accompany the order.
- For current prices contact Crosman Corporation at 1-800-724-7486 or visit our website|



Item	Part Number	Description	CDH22TDS S-SX
1	<b>NP214-6-01-3</b>	S-Baffle Cap	1
2a	<b>NP214-6-01-200A</b>	Overmolded Barrel Assembly	
2b	<b>NP214-6-01-200A (5.5)</b>	Overmolded Barrel Assembly	1
3	<b>NP214-02-00</b>	Rear Sight Assembly	1
4	<b>B24-1-03-00</b>	Compression Tube Assembly	1
5	<b>GBT 3452.1-2005</b>	O-ring $\varnothing 19 \times 3.55$	1
6	<b>B22-00-12A</b>	Break Bolt	1
7	<b>BT1500-00-4</b>	Adjust Washer	0-2
8	<b>BT1500-00-3A</b>	Breach Seal	1
9	<b>B22-5-00-9</b>	Screw	2
10	<b>GBT 879.3-2000</b>	Elastic Cylindrical Pin 4 $\times$ 27	2
11	<b>B22-01-4</b>	Bushing	1
12	<b>B18-00-15B</b>	Washer	2
13	<b>ELS-005</b>	Jam Spring	1
14	<b>B24-01-1</b>	Alive Jam	1
15	<b>CRS5177-033</b>	Deam Jam	1
16	<b>B24-04-4</b>	Plain Plate	1
17	<b>B24-00-5</b>	Fixed Pin	1
18	<b>B24-00-6</b>	Back Spring Guide	1
19	<b>B24-04-00</b>	Piston Seal	1
20	<b>B24-04-3</b>	Washer	1
21	<b>B24-00-7</b>	Gas Spring	1
22	<b>B19-19-00-5</b>	Safety Spring	1
23	<b>B24-05-00</b>	Trigger Pack Assembly	1
24	602.500.01.1-6	Lever Pin	1
25	<b>NP214-010</b>	Slings Mount	1
26	<b>B24-1-00-2</b>	Lever	1
27	<b>B24-1-00-6</b>	Lever Pull Pin	1
28	<b>B24-1-00-1</b>	Bear Trap Lever	1
29	<b>NP2BAM-027</b>	Stock Link Pin	1
30	<b>NP2BAM-M5<math>\times</math>16</b>	Pan Head Screws - nylok	2
31	<b>NP2BAM-451</b>	Stock Lug Brace	1
32	<b>NPEG-01-00</b>	Stock assembly	1
33	<b>NP2BAM-818</b>	Screw, Trigger Guard Rear - nylok	1
34	<b>NPEG-003</b>	Tube Cover	1
35	4X32D CenterPoint	Scope	1