

Remington®

EXPLODED VIEW & PARTS LIST

MODELS RP45



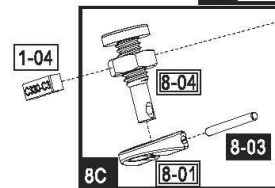
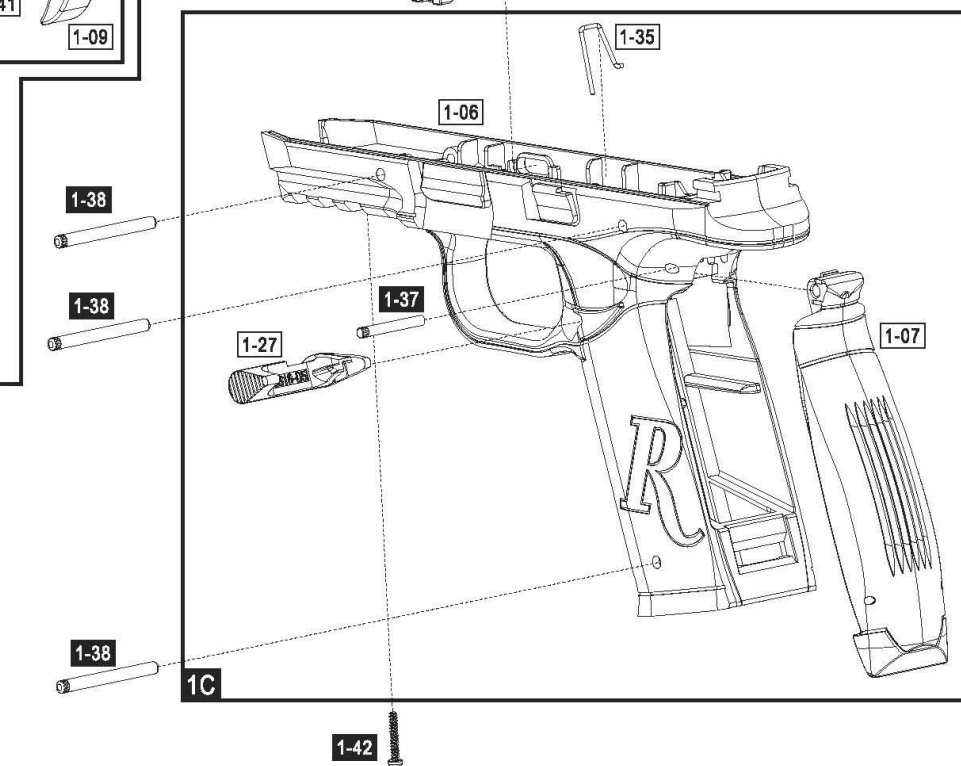
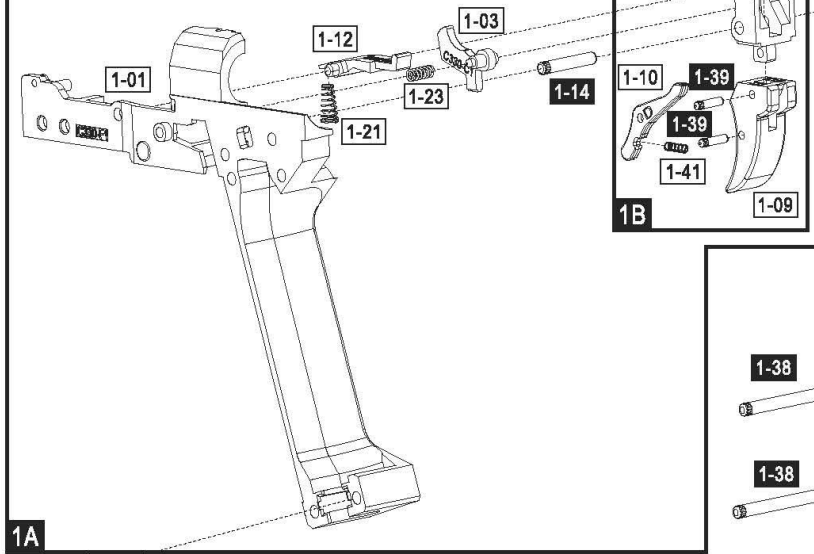
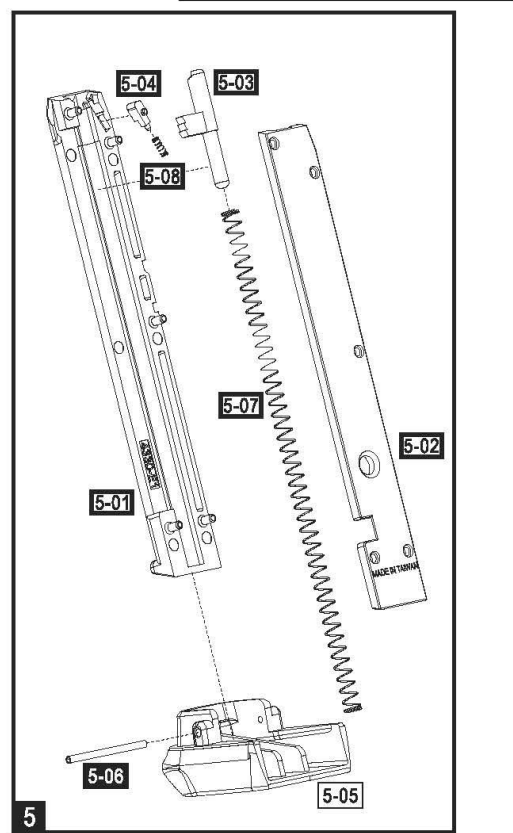
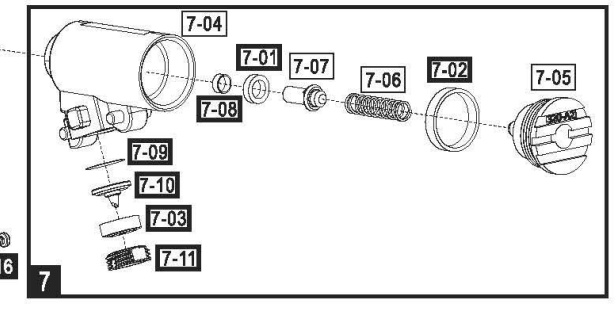
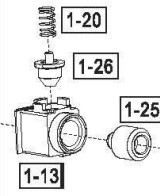
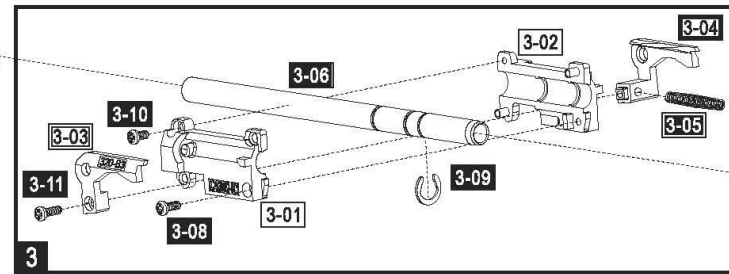
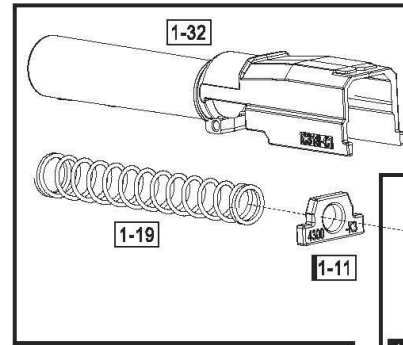
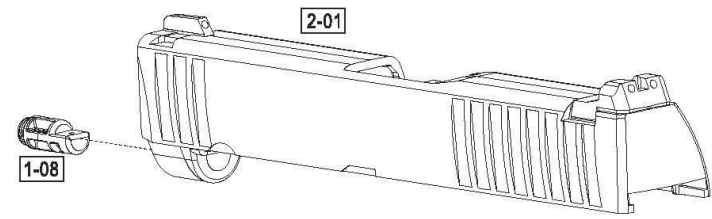
Manufacture Start Dates: 2/1/17

Last Update 2/16/17

CROSMAN CORPORATION
7629 ROUTES 5 & 20
BLOOMFIELD, NY 14469
Phone: 1-800-724-7486
Parts Order Fax: 585-657-5405
www.crosman.com

- This EVP and parts list is intended to be an informational guide in ordering parts. It is not instructional material and we therefore assume no responsibility for those who use the same without proper factory training.
- Please order by part number and description.
- Check or money order for the total price must accompany the order.
- For current prices contact Crosman Corporation at 1-800-724-7486 or visit our website www.crosman.com

Remington RP45



ITEM NO.	PART ITEMNO.	DESCRIPTION	QTY	REVISE DATE	ITEM NO.	PART ITEMNO.	DESCRIPTION	QTY	REVISE DATE
1-04	C330-W1-C3	Knob Fixing Block	1		3	BARREL SEAT COMBINATION			
1-05	C330-W1-C6	Safety Button	1		1-11	C4300-W1-K3	Spring Seat	1	
1-08	C318-W1-D2	Slide Plug	1		1-19	M41-C6300-1.3	Recoil Spring	1	
1-38	M10-30320FRB	Axis (3x32)	3		1-32	C4318-W6-C1	Outer Barrel	1	
1-42	M20-P20120ET0	Screw (2x12)	1		3-01	C4300-W1-K1	Barrel Seat (L)	1	
2-01	C318-W6-B	Slide	1		3-02	C4300-W1-K2	Barrel Seat (R)	1	
1A	GUN BODY COMBINATION				3-03	C320-W6-B3	Ejector (O)	1	
1-01	C330-W6-F1	Body Seat	1		3-04	C320-W6-B4	Ejector (N)	1	
1-02	C330-W6-F2	Body Cover	1		3-05	M41-C300-4	Ejector Spring	1	
1-03	C330-W1-C1	Safety Parts	1		3-06	M62-C4321108	Outer Barrel	1	
1-12	C320-W6-B1	Fixing Guide	1		3-08	M20-P2060ET0B	Screw (2x6)	1	
1-13	C4320-W1-E1	BB Housing	1		3-09	M64-5103-25	C Washer	1	
1-14	M10-30180FRB	Axis (3x18)	1		3-10	M20-P2040B	Screw (2x4)	1	
1-16	M20-P2060B	Screw (2x6)	3		3-11	M20-P2050B	Screw (2x5)	1	
1-17	M20-P20140ET0	Screw (2x14)	1		5	MAG. COMBINATION			
1-20	M41-C300-5	BB Stopper Spring	1		5-01	C4330-W6-E1	Mag. Body	1	
1-21	M41-C300-6	Fixing Guide	1		5-02	C4330-W6-E2	Mag. Cover	1	
1-22	M43-C300-7	Trigger Spring	1		5-03	C4330-W6-E3	BB Follower	1	
1-23	M41-C330-4A	Safety Spring	1		5-04	C320-W6-A4	BB Guide	1	
1-25	M62-C4300-31E	Attacked Block	1		5-05	C318-W1-D1	Mag. Base	1	
1-26	C330-W6-G3	BB Stopper	1		5-06	M11-15250B	Spring Bar (1.5x25)	1	
1B	TRIGGER COMBINATION				5-07	M41-C4330-1A	Mag. Spring	1	
1-09	C318-W1-D3	Trigger	1		5-08	M41-C330-2	BB Guide Spring	1	
1-10	C318-W1-D4	Trigger Button	1		7	VALVE CHAMBER COMBINATION			
1-31	C330-W6-G4	Trigger Seat	1		7-01	CO2-W1-N	Valve Ring	1	
1-39	M10-20090FRB	Axis (2x9)	2		7-02	CO2-W1-A	Valve Ring	1	
1-41	M41-C121-1	Safety Button Spring	1		7-03	CO2-W1-F	Piercer Seal	1	
1C	FRAME COMBINATION				7-04	C320-W6-A1	Valve Chamber	1	
1-06	C318-W1-A	Frame	1		7-05	C320-W6-A2	Valve Cover	1	
1-07	C318-W1-C2	Back Strap	1		7-06	M41-C4-400	Valve Spring	1	
1-27	C318-W1-D5	Ejection Button	1		7-07	M63-C3400-2.0	Valve	1	
1-35	M44-SCG106-1B	Catch Spring	1		7-08	M63-C3400-2	Copper Ring	1	
1-37	M10-25210FRB	Axis (2.5x21)	1		7-09	M63-CO2-5	Piercer Filter	1	
8C	KNOB COMBINATION				7-10	M63-CO2-6-22	Piercer	1	
8-01	CO2-W1-G	CO2 Knob	1		7-11	CO2-W6-O	Piercer Fixing Ring	1	
8-03	M10-20190B	Axis (2x19)	1						
8-04	M20-025-23	Piercing Level Screw	1						