

# BENJAMIN®

## EXPLODED VIEW & PARTS LIST

### MODELS SUMMIT BSN217SX & BSN292SX



Manufacture Start Dates: 8/28/15

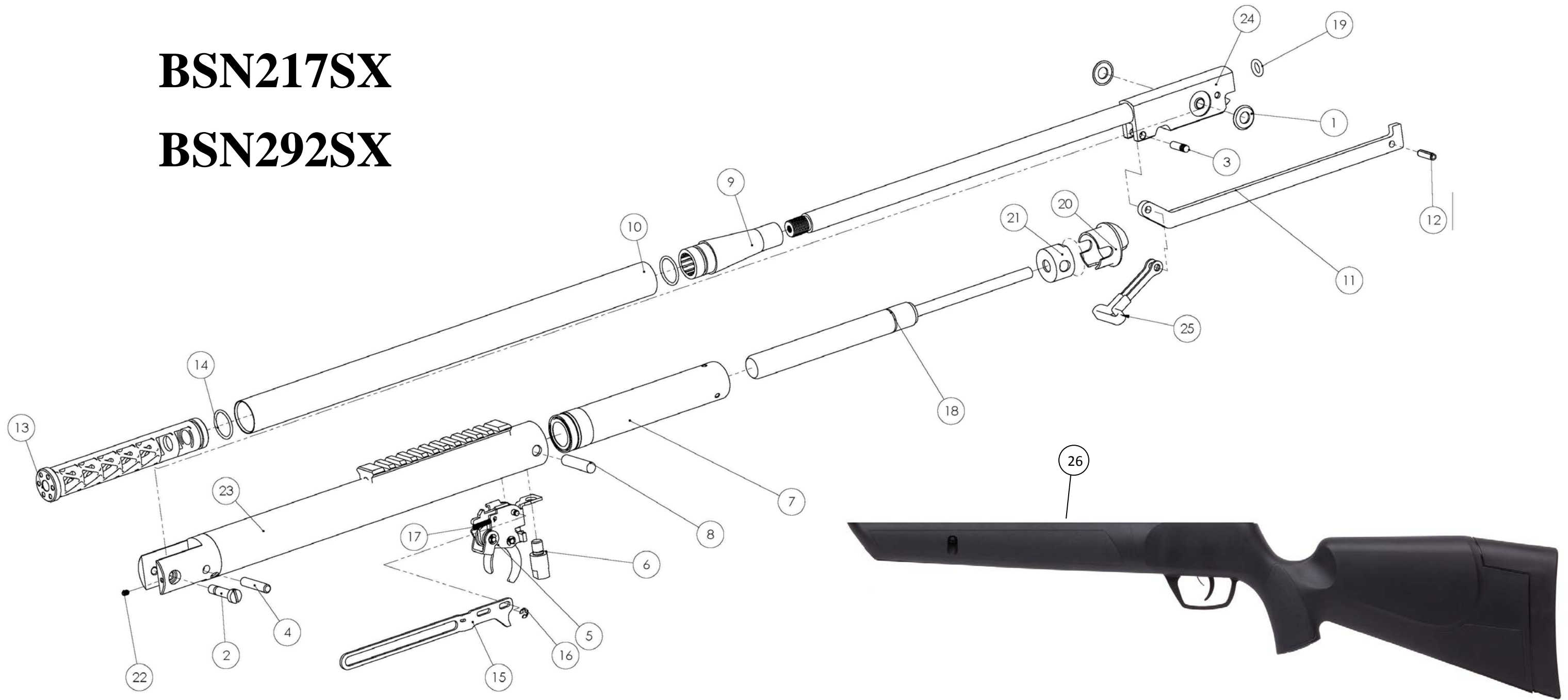
Last Update 11/8/16

CROSMAN  
CORPORATION 7629  
ROUTES 5 & 20  
BLOOMFIELD, NY 14469  
Phone: 1-800-724-7486  
Parts Order Fax: 585-657-  
5405 [www.crosman.com](http://www.crosman.com)

- This EVP and parts list is intended to be an informational guide in ordering parts. It is not instructional material and we therefore assume no responsibility for those who use the same without proper factory training.
- Please order by part number and description.
- Check or money order for the total price must accompany the order.
- For current prices contact Crosman Corporation at 1-800-724-7486 or visit our website [www.crosman.com](http://www.crosman.com)

**BSN217SX**

**BSN292SX**



Item	Part Number	Description	BSN217SX	BSN292SX	Revision Date
1	CRS5177-017	BREECH SPACER	2	2	
2	CRS5177-015	PIVOT SCREW	1	1	
3	CRS5177-061	PIVOT PIN, LEVER	1	1	
4	CRS5177-033	DETENT PIN	1	1	
5	ELS-100	TRIGGER PACK ASSEMBLY	1	1	
5	ELS-100	TRIGGER PACK ASSEMBLY	1	1	
6	CRS5177-027	STOCK LUG	1	1	
7	NP214-131	PISTON ASSEMBLY	1	1	
8	ELS-016	PLUG PIN- DIA 312 x 1 313	1	1	
9	NP214-009	SHROUD CONE	1	1	
10	NP214-008	TRAIL SHROUD	1	1	
11	NP214-005	LEVER	1	1	
12	NP214-006	LEVER GUIDE PIN	1	1	
13	NP214-001	TRAIL BAFFLE	1	1	
14	E357-008	O-RING, 2-018	2	2	
15	NP214-056	BEARTRAP LEVER	1	1	
16	CRS5177-043	E-RING	1	1	
17	CRS5177-057	SPRING, BEARTRAP	1	1	
18	NP214-012	GAS SPRING	1	1	
19	CRS5177A013	O-RING	1	1	
20	NP214-060	TRAIL TUBE CAP	1	1	
21	NP214-058	TUBE PLUG	1	1	
22	2300-007	SET SCREW, 6-32 x .188, CUP	1	1	
23	CSN-121	COMPRESSION TUBE	1	1	
24a	CSN-107	.177 Summit Breech Assembly	1		
24b	CSN-108	.22 Summit Breech Assembly		1	
25	NP214-010	SLING MOUNT	1	1	
26	BSN217-405	Stock Assembly	1	1	