



# EXPLODED VIEW & PARTS LIST

## MODELS 40121

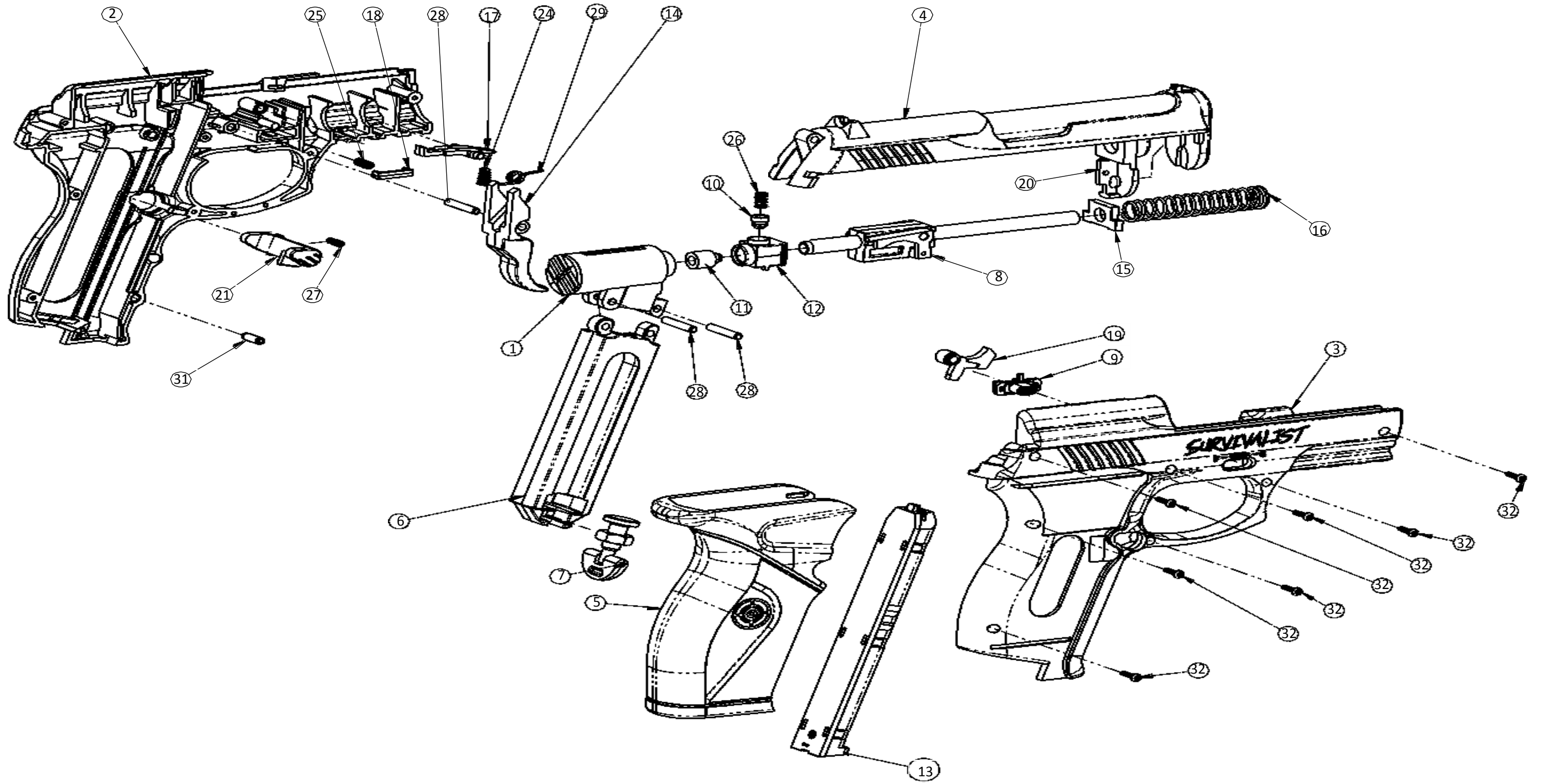


Manufacture Start Dates: 6/17/13

Last Update 2/11/14

CROSMAN CORPORATION  
7629 ROUTES 5 & 20  
BLOOMFIELD, NY 14469  
Phone: 1-800-724-7486  
Parts Order Fax: 585-657-5405  
[www.crosman.com](http://www.crosman.com)

- This EVP and parts list is intended to be an informational guide in ordering parts. It is not instructional material and we therefore assume no responsibility for those who use the same without proper factory training.
- Please order by part number and description.
- Check or money order for the total price must accompany the order.
- For current prices contact Crosman Corporation at 1-800-724-7486 or visit our website [www.crosman.com](http://www.crosman.com)



ITEM NO.	PART NUMBER	DESCRIPTION	Z10-SURVIVA LIST/A10-SURVIVA LIST/QTY.
1	C11A007	VALVE ASSY C11	1
2	C11C101	FRAME LH	1
3	Z10A102	FRAME RIGHT	1
4	C11B104	SLIDE	1
5	C11A105	GRIP	1
6	C11B802	CO2 HOUSING	1
7	C11A008	Co2 SCREW ASSY	1
8	1911A110	BARREL ASSY 177 CAL	1
9	C11-009	SAFETY-STICKER ASSY	1
10	C11-126	BB STOPPER	1
11	C11-125	HAMMER	1
12	C11-113	BB HOUSING	1
13	BBC-999	CLIP ASSY 177 CAL	1
14	1911-010	TRIGGER	1
15	C11A111	BARREL SPRING STOPPER 177 CAL	1
16	C11-119	SPRING,BARREL	1
17	1911-017	FIXING PLATE	1
18	C11-110	SAFETY SPRING SEAT	1
19	C11A109	LOCKING BLOCK	1
20	C11A103	FIXING BLOCK	1
21	C11D106	MAGAZINE CATCH	1
22			-
23			-
24	C11-121	SPRING, FIXING PLATE	1
25	C11-123	SPRING,SAFETY	1
26	C11-120	SPRING, BB STOPPER	1
27	C11-124	SPRING, MAGAZINE CATCH	1
28	C11-529	PIN, 3MM x 18MM	3
29	C11-122	TRIGGER SPRING	1
30			-
31	ABX-018	SPRING PIN 125 x 375	1
32	C11-117	SCREW 1-42 x 312 PH TYPE B	7