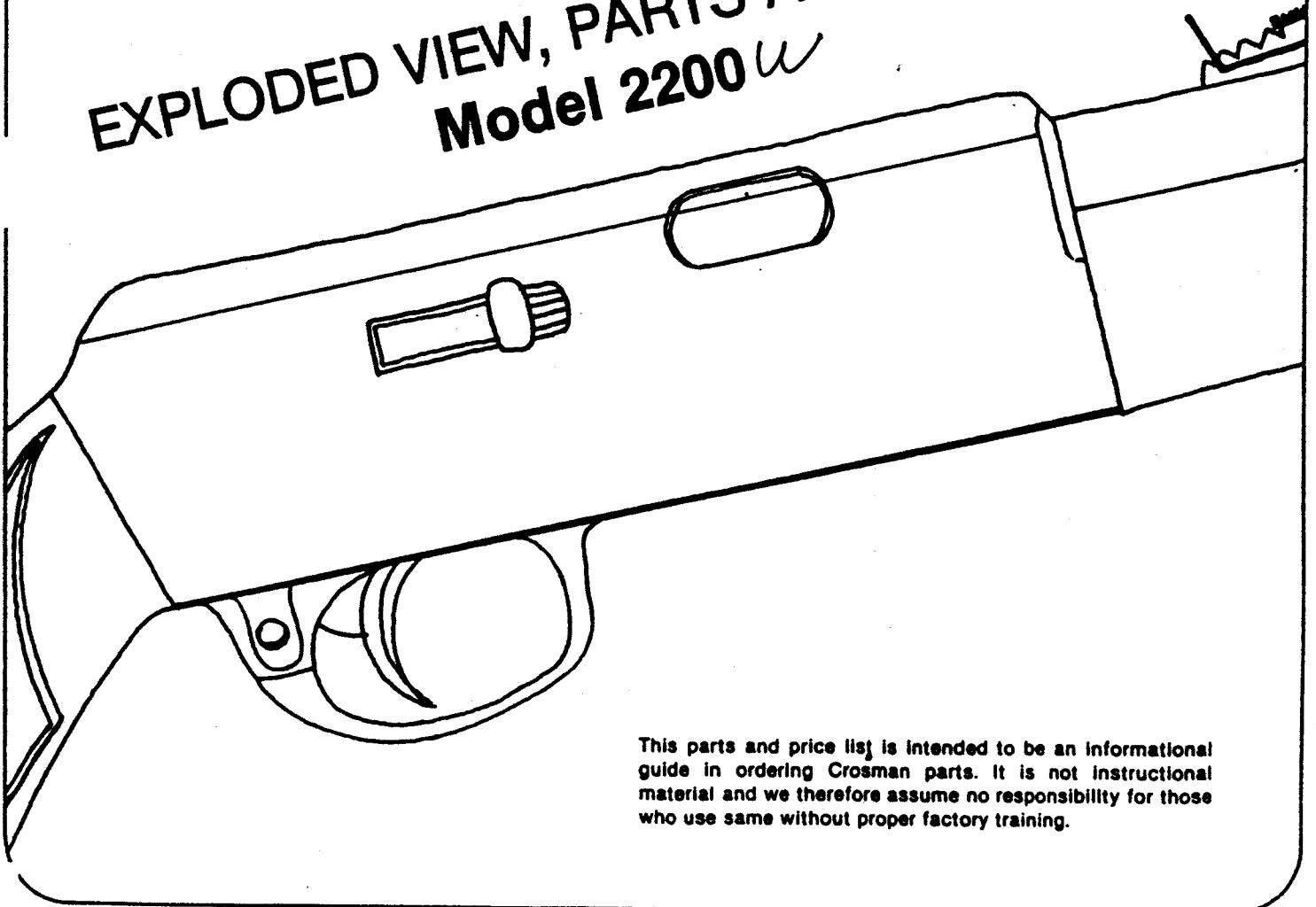




EXPLODED VIEW, PARTS AND PRICE LIST  
Model 2200 *u*



This parts and price list is intended to be an informational guide in ordering Crosman parts. It is not instructional material and we therefore assume no responsibility for those who use same without proper factory training.

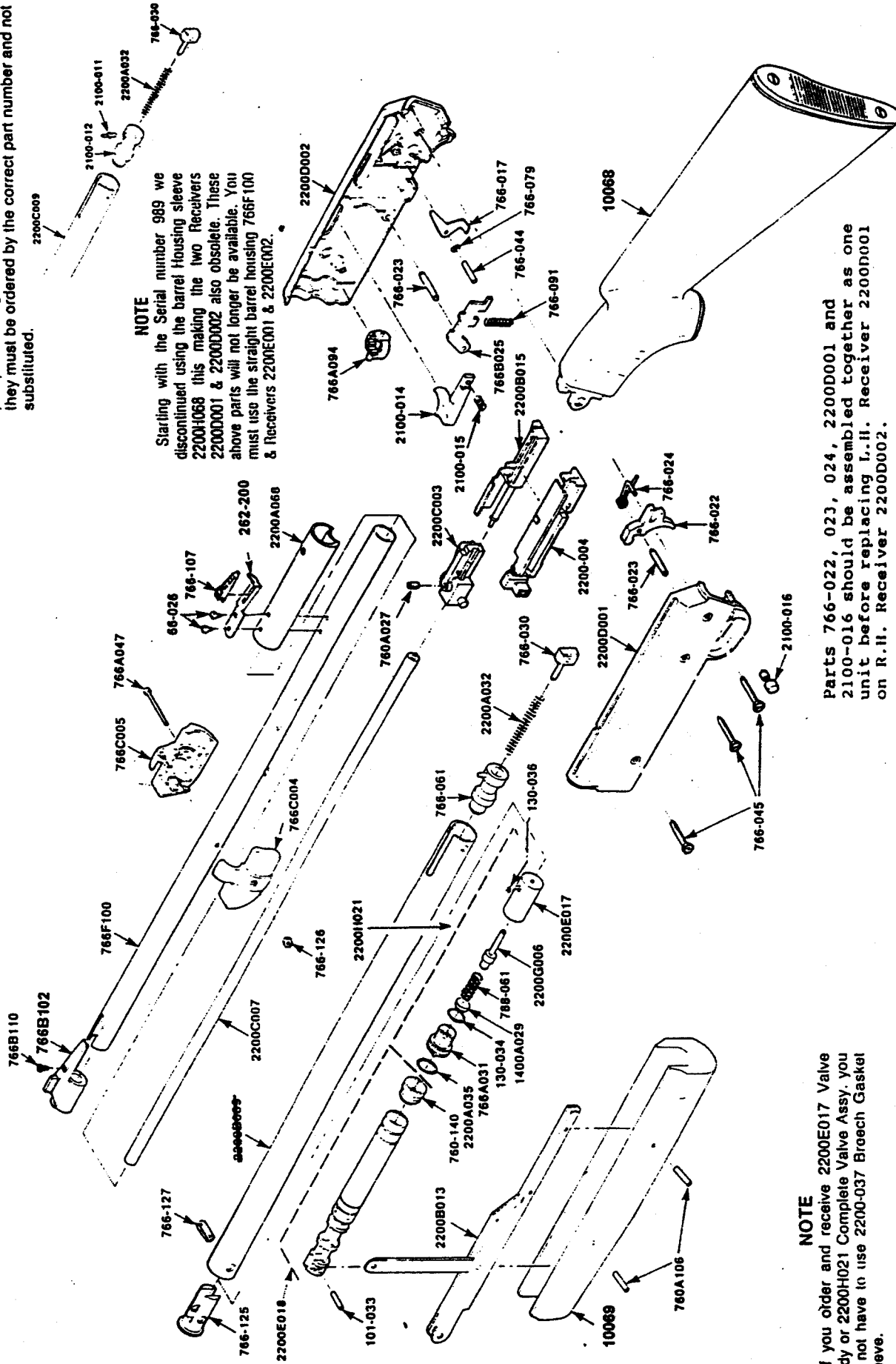
7196

**CROSMAN AIRGUNS**  
Rt. 5&20 East Bloomfield, N.Y. 14443

# Model 2200 (Figure 1)

starting with serial number 283

**NEW**  
Starting with Serial #387 - Two piece hammer & new pump tube. If gun consists of the parts showing below they must be ordered by the correct part number and not substituted.



**NOTE**

Starting with the Serial number 989 we discontinued using the barrel Housing sleeve 2200H068 this making the two Receivers 2200D001 & 2200D002 also obsolete. These above parts will not longer be available. You must use the straight barrel housing 766F100 & Receivers 2200E001 & 2200E002.

**NOTE**

If you order and receive 2200E017 Valve Body or 2200H021 Complete Valve Assy. you do not have to use 2200-037 Broech Gasket Sleeve.

Parts 766-022, 023, 024, 2200D001 and 2100-016 should be assembled together as one unit before replacing L.H. Receiver 2200D001 on R.H. Receiver 2200D002.

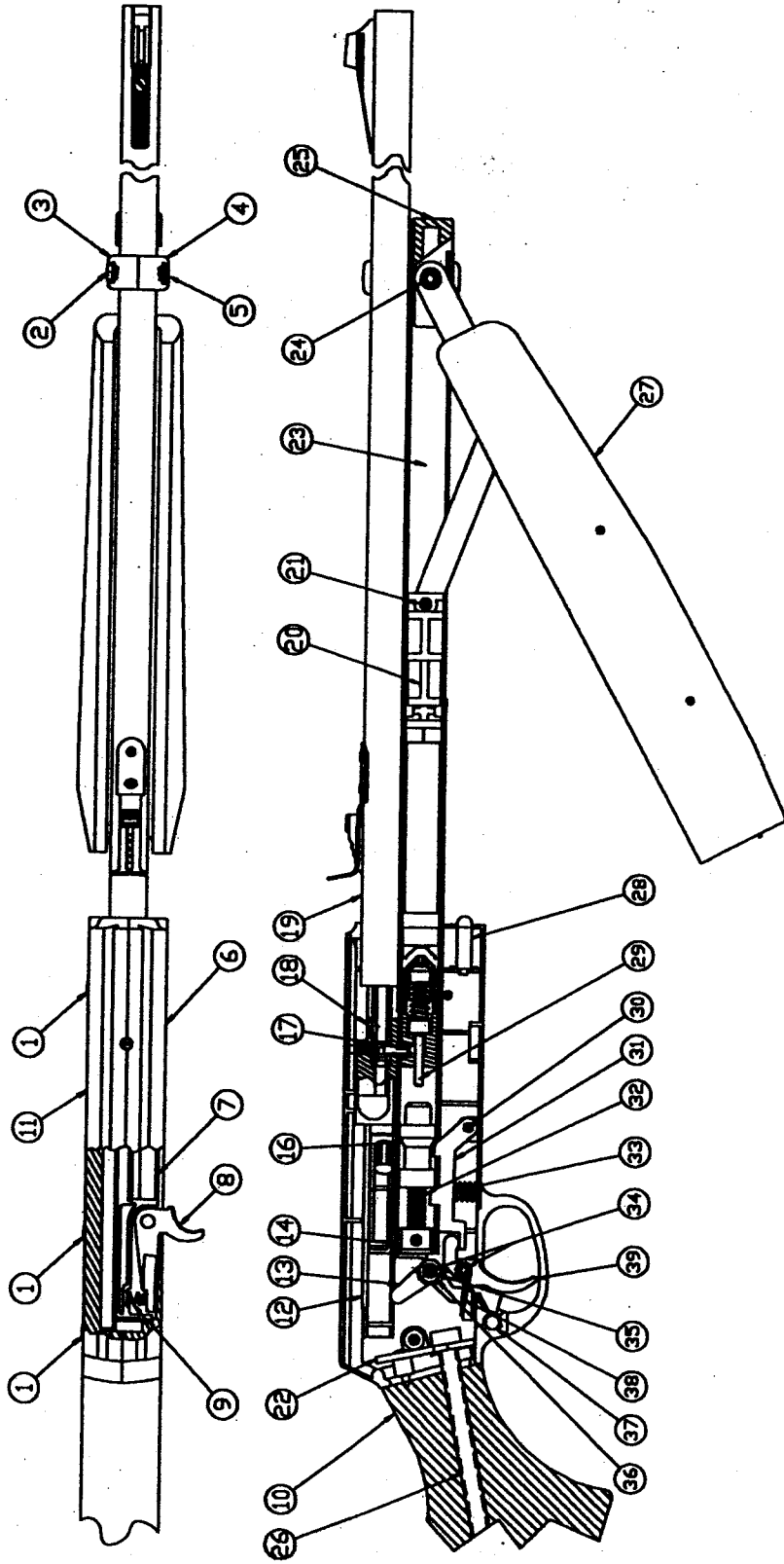


# PARTS & PRICE LIST: MODEL 2200

PART NO.	QTY	PART NAME	PRICE	PART NO.	QTY	PART NAME	PRICE
66-026	2	REAR SIGHT SCREW	\$ 0.50 each	766-125	1	PUMP GUIDE STOP	\$ 0.50
101-033	1	PUMP GUIDE PIN	\$ 0.50	766-126	1	BARREL BAND NUT	\$ 0.50
130-034	1	O RING	\$ 0.50	766-127	1	PIVOT PIN	\$ 0.50
130-036	1	BREECH GASKET	\$ 0.50	788-061	1	CHECK VALVE SPRING	\$ 0.50
262-200	1	REAR SIGHT	\$ 0.50	1400A029	1	CHECK VALVE	\$ 0.50
760A106	2	FOREARM PIN	\$ 0.50 each	2100-011	1	HAMMER PIN	\$ 0.50
760A027	1	BARREL SET SCREW	\$ 0.50	2100-012	1	HAMMER	\$ 1.28
760-140	1	PUMP CUP	\$ 0.50	2100-014	1	BOLT KNOB	\$ 0.50
766C004	1	BARREL BAND, L.H.	\$ 0.50	2100-015	1	BOLT KNOB SPRING	\$ 0.50
766C005	1	BARREL BAND, R.H.	\$ 0.50	2100-016	1	SAFETY	\$ 0.99
10069	1	FOREARM	\$ 5.04	2200E001	1	RECEIVER, L.H.	\$ 10.78
766-017	1	INTERLOCK	\$ 0.50	2200E002	1	RECEIVER, R.H.	\$ 8.50
766-022	1	TRIGGER	\$ 1.19	2200C003	1	BARREL SUPPORT	\$ 2.24
766-023	2	SEAR & TRIGGER PIN	\$ 0.50 each	2200-004	1	BOLT GUIDE	\$ 1.10
766-024	1	TRIGGER SPRING	\$ 0.50	2200G006	1	VALVE STEM ASSEMBLY	\$ 1.28
766B025	1	SEAR	\$ 0.59	2200C007	1	BARREL	\$ 4.82
766-030	1	TUBE PLUG	\$ 0.50	<del>2200B009</del>	1	PUMP TUBE	\$ 3.79 /N/A
766A031	1	CHECK VALVE BODY	\$ 0.98	2200C009	1	PUMP TUBE	\$ 4.99
766-044	1	INTERLOCK PIN	\$ 0.50	2200B013	1	LEVER & LINK ASSEMBLY	\$ 4.73
766-045	3	RECEIVER SCREW	\$ 0.50 each	2200B015	1	BOLT	\$ 0.91
766A047	1	BARREL BAND SCREW	\$ 0.50	2200E017	1	VALVE BODY	\$ 1.34
766-061	1	HAMMER ASSEMBLY	\$ 0.50	2200E018	1	PUMP ROD ASSEMBLY	\$ 3.85
766-079	1	INTERLOCK WASHER	\$ 0.50	2200H021	1	VALVE ASSEMBLY	\$ 5.14
766-091	1	SEAR SPRING	\$ 0.50	10068	1	STOCK ASSEMBLY	\$ 11.97
766A094	1	FOREARM DETENT	\$ 0.50	2200A032	1	HAMMER SPRING	\$ 0.50
766F100	1	BARREL HOUSING	\$ 4.81	2200A035	1	O RING	\$ 0.50
766B102	1	FRONT SIGHT	\$ 0.50	766B110	1	FRONT SIGHT SCREW	\$ 0.50
766-107	1	ELEVATOR	\$ 0.50				

\* FACTORY ASSEMBLY ONLY      PRICES SUBJECT TO CHANGE WITHOUT NOTICE  
PLEASE ORDER BY PART NUMBER AND PART DESCRIPTION. CHECK OR MONEY ORDER  
FOR THE TOTAL PURCHASE MUST ACCOMPANY THE PARTS ORDER.

REV.	DATE	BY	APP.
1	10/15/54	W. J. HARRIS	
2	11/15/54	W. J. HARRIS	
3	12/15/54	W. J. HARRIS	
4	1/15/55	W. J. HARRIS	
5	2/15/55	W. J. HARRIS	
6	3/15/55	W. J. HARRIS	
7	4/15/55	W. J. HARRIS	
8	5/15/55	W. J. HARRIS	
9	6/15/55	W. J. HARRIS	
10	7/15/55	W. J. HARRIS	
11	8/15/55	W. J. HARRIS	
12	9/15/55	W. J. HARRIS	
13	10/15/55	W. J. HARRIS	
14	11/15/55	W. J. HARRIS	
15	12/15/55	W. J. HARRIS	
16	1/15/56	W. J. HARRIS	
17	2/15/56	W. J. HARRIS	
18	3/15/56	W. J. HARRIS	
19	4/15/56	W. J. HARRIS	
20	5/15/56	W. J. HARRIS	
21	6/15/56	W. J. HARRIS	
22	7/15/56	W. J. HARRIS	
23	8/15/56	W. J. HARRIS	
24	9/15/56	W. J. HARRIS	
25	10/15/56	W. J. HARRIS	
26	11/15/56	W. J. HARRIS	
27	12/15/56	W. J. HARRIS	
28	1/15/57	W. J. HARRIS	
29	2/15/57	W. J. HARRIS	
30	3/15/57	W. J. HARRIS	
31	4/15/57	W. J. HARRIS	
32	5/15/57	W. J. HARRIS	
33	6/15/57	W. J. HARRIS	
34	7/15/57	W. J. HARRIS	
35	8/15/57	W. J. HARRIS	
36	9/15/57	W. J. HARRIS	
37	10/15/57	W. J. HARRIS	
38	11/15/57	W. J. HARRIS	
39	12/15/57	W. J. HARRIS	
40	1/15/58	W. J. HARRIS	
41	2/15/58	W. J. HARRIS	
42	3/15/58	W. J. HARRIS	
43	4/15/58	W. J. HARRIS	
44	5/15/58	W. J. HARRIS	
45	6/15/58	W. J. HARRIS	
46	7/15/58	W. J. HARRIS	
47	8/15/58	W. J. HARRIS	
48	9/15/58	W. J. HARRIS	
49	10/15/58	W. J. HARRIS	
50	11/15/58	W. J. HARRIS	
51	12/15/58	W. J. HARRIS	
52	1/15/59	W. J. HARRIS	
53	2/15/59	W. J. HARRIS	
54	3/15/59	W. J. HARRIS	
55	4/15/59	W. J. HARRIS	
56	5/15/59	W. J. HARRIS	
57	6/15/59	W. J. HARRIS	
58	7/15/59	W. J. HARRIS	
59	8/15/59	W. J. HARRIS	
60	9/15/59	W. J. HARRIS	
61	10/15/59	W. J. HARRIS	
62	11/15/59	W. J. HARRIS	
63	12/15/59	W. J. HARRIS	
64	1/15/60	W. J. HARRIS	
65	2/15/60	W. J. HARRIS	
66	3/15/60	W. J. HARRIS	
67	4/15/60	W. J. HARRIS	
68	5/15/60	W. J. HARRIS	
69	6/15/60	W. J. HARRIS	
70	7/15/60	W. J. HARRIS	
71	8/15/60	W. J. HARRIS	
72	9/15/60	W. J. HARRIS	
73	10/15/60	W. J. HARRIS	
74	11/15/60	W. J. HARRIS	
75	12/15/60	W. J. HARRIS	
76	1/15/61	W. J. HARRIS	
77	2/15/61	W. J. HARRIS	
78	3/15/61	W. J. HARRIS	
79	4/15/61	W. J. HARRIS	
80	5/15/61	W. J. HARRIS	
81	6/15/61	W. J. HARRIS	
82	7/15/61	W. J. HARRIS	
83	8/15/61	W. J. HARRIS	
84	9/15/61	W. J. HARRIS	
85	10/15/61	W. J. HARRIS	
86	11/15/61	W. J. HARRIS	
87	12/15/61	W. J. HARRIS	
88	1/15/62	W. J. HARRIS	
89	2/15/62	W. J. HARRIS	
90	3/15/62	W. J. HARRIS	
91	4/15/62	W. J. HARRIS	
92	5/15/62	W. J. HARRIS	
93	6/15/62	W. J. HARRIS	
94	7/15/62	W. J. HARRIS	
95	8/15/62	W. J. HARRIS	
96	9/15/62	W. J. HARRIS	
97	10/15/62	W. J. HARRIS	
98	11/15/62	W. J. HARRIS	
99	12/15/62	W. J. HARRIS	
100	1/15/63	W. J. HARRIS	



NOT SHOWN: (40) (41)

2200W (2200 WITH WALNUT STOCK)

1	PLUG BUTT PLATE	DESCRIPTION
2	WALNUT STOCK	
3	WALNUT STOCK	
4	WALNUT STOCK	
5	WALNUT STOCK	
6	WALNUT STOCK	
7	WALNUT STOCK	
8	WALNUT STOCK	
9	WALNUT STOCK	
10	WALNUT STOCK	
11	WALNUT STOCK	
12	WALNUT STOCK	
13	WALNUT STOCK	
14	WALNUT STOCK	
15	WALNUT STOCK	
16	WALNUT STOCK	
17	WALNUT STOCK	
18	WALNUT STOCK	
19	WALNUT STOCK	
20	WALNUT STOCK	
21	WALNUT STOCK	
22	WALNUT STOCK	
23	WALNUT STOCK	
24	WALNUT STOCK	
25	WALNUT STOCK	
26	WALNUT STOCK	
27	WALNUT STOCK	
28	WALNUT STOCK	
29	WALNUT STOCK	
30	WALNUT STOCK	
31	WALNUT STOCK	
32	WALNUT STOCK	
33	WALNUT STOCK	
34	WALNUT STOCK	
35	WALNUT STOCK	
36	WALNUT STOCK	
37	WALNUT STOCK	
38	WALNUT STOCK	
39	WALNUT STOCK	
40	WALNUT STOCK	
41	WALNUT STOCK	
42	WALNUT STOCK	
43	WALNUT STOCK	
44	WALNUT STOCK	
45	WALNUT STOCK	
46	WALNUT STOCK	
47	WALNUT STOCK	
48	WALNUT STOCK	
49	WALNUT STOCK	
50	WALNUT STOCK	
51	WALNUT STOCK	
52	WALNUT STOCK	
53	WALNUT STOCK	
54	WALNUT STOCK	
55	WALNUT STOCK	
56	WALNUT STOCK	
57	WALNUT STOCK	
58	WALNUT STOCK	
59	WALNUT STOCK	
60	WALNUT STOCK	
61	WALNUT STOCK	
62	WALNUT STOCK	
63	WALNUT STOCK	
64	WALNUT STOCK	
65	WALNUT STOCK	
66	WALNUT STOCK	
67	WALNUT STOCK	
68	WALNUT STOCK	
69	WALNUT STOCK	
70	WALNUT STOCK	
71	WALNUT STOCK	
72	WALNUT STOCK	
73	WALNUT STOCK	
74	WALNUT STOCK	
75	WALNUT STOCK	
76	WALNUT STOCK	
77	WALNUT STOCK	
78	WALNUT STOCK	
79	WALNUT STOCK	
80	WALNUT STOCK	
81	WALNUT STOCK	
82	WALNUT STOCK	
83	WALNUT STOCK	
84	WALNUT STOCK	
85	WALNUT STOCK	
86	WALNUT STOCK	
87	WALNUT STOCK	
88	WALNUT STOCK	
89	WALNUT STOCK	
90	WALNUT STOCK	
91	WALNUT STOCK	
92	WALNUT STOCK	
93	WALNUT STOCK	
94	WALNUT STOCK	
95	WALNUT STOCK	
96	WALNUT STOCK	
97	WALNUT STOCK	
98	WALNUT STOCK	
99	WALNUT STOCK	
100	WALNUT STOCK	

CROSSMAN CORPORATION  
 175 S. S. ST.  
 C. HARTFORD, CT 06103  
 MADE IN U.S.A.  
 MODEL NO. 11584